

highest quality state of the art CUSTOMER QUALITY PRECISION

WBXG 1"

CARATTERISTICHE - SPECIFICATIONS

IN	DIAMETER	\varnothing	3/8 BSP
	PRESS.	Min.	1 bar 15 PSI
		Max.	6 bar 87 PSI
TEMP.	Max.	60° C. 140° F.	
OUT	DIAMETER	\varnothing	3/8 BSP
SHAFT		\varnothing	Hollow 1"
OIL		SAE 75W 90	0.5 litri - 0.13 U.S.G.
PESO WEIGHT		Kg / lbs	7 / 14.4

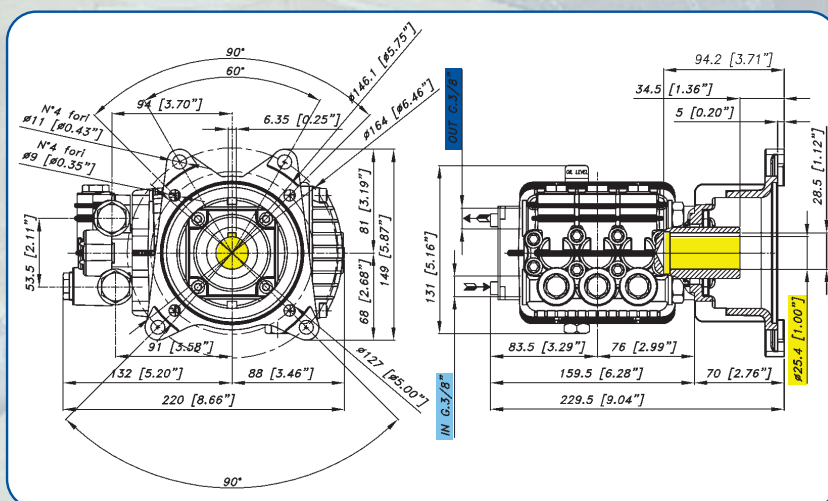


M SAE J609 -1"



OPTIONAL

Sx



CARATTERISTICHE - FEATURES

WBXG 3450 rpm

PERFORMANCE CHART

CODICE CODE	MODELLO MODEL	PRESS MAX / MAX PRESSURE		PORTATA / FLOW		POTENZA / POWER			PIST. PLUNG. Dia. mm	CORSA STROKE mm
		Bar	PSI	L/min	GPM	KW	HP	HP engine		
02.6170.97.3	WBXG 3030	210	3000	11.4	3.0	4.7	6.2	7 HP	15	7.2
02.6171.97.3	WBXG 3530	240	3500	11.4	3.0	5.4	7.3	8 HP		
02.6172.97.3	WBXG 3035	210	3000	13.2	3.5	5.4	7.3	8 HP	15	8.6
02.6173.97.3	WBXG 3535	240	3500	13.2	3.5	6.3	8.4	10 HP		
02.6174.97.3	WBXG 3040	210	3000	15.0	4.0	6.2	8.3	10 HP	15	9.8
02.6175.97.3	WBXG 3540	240	3500	15.0	4.0	7.1	9.6	12 HP		