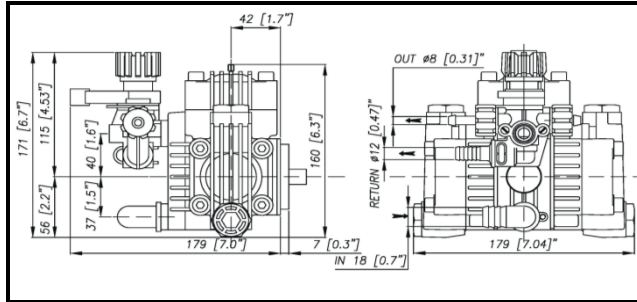


# TRIAL D - RT2 - RT4

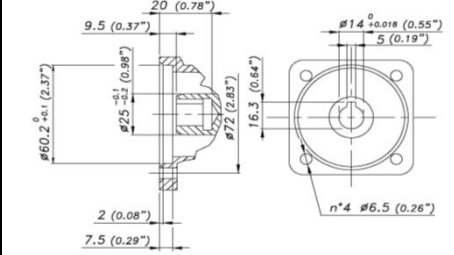
## DIMENSIONI D'INGOMBRO - OVERALL DIMENSIONS



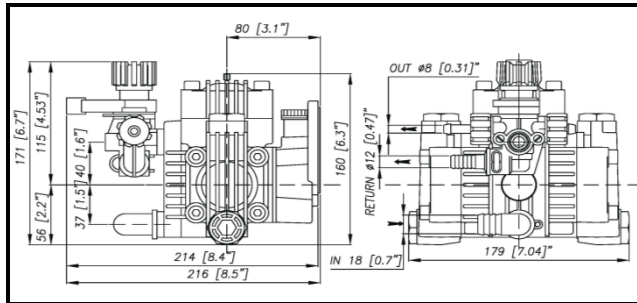
TRIAL D



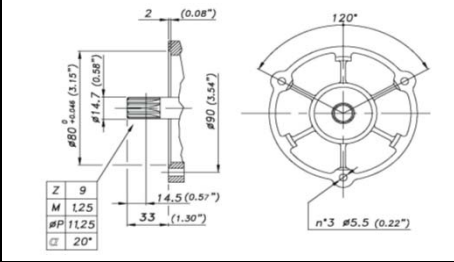
### ALBERO MOTORE-MOTOR SHAFT



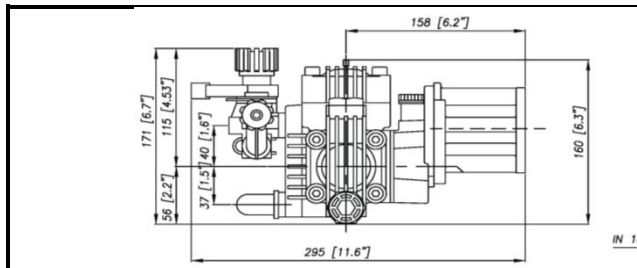
TRIAL RT2



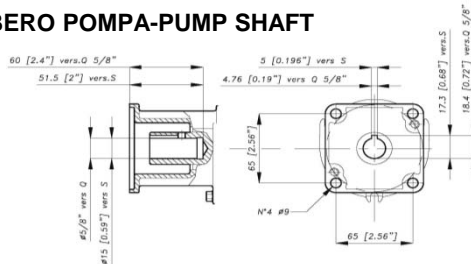
### ALBERO MOTORE-MOTOR SHAFT



TRIAL RT4



### ALBERO POMPA-PUMP SHAFT



COPPIA DI SERRAGGIO - TORQUE CHART					
CODICE - CODE	Q.TY	POS	N-m	Lbr.ft	
86.2730.00.2	12	6	22	16,2	
11.0008.53.2	2	14	5	3,7	
86.2474.00.2	1	34	22	16,2	
86.2282.00.2	2	35	10	7,4	
86.2350.00.2	4	43	10	7,4	
81.4545.00.2	3	44	10	7,4	
81.4542.00.2	4	61	10	7,4	
86.1943.90.2	2	79	5	3,7	
Tolleranza di serraggio: 0/-10%					
Tolerance on torque value: 0/-10%					

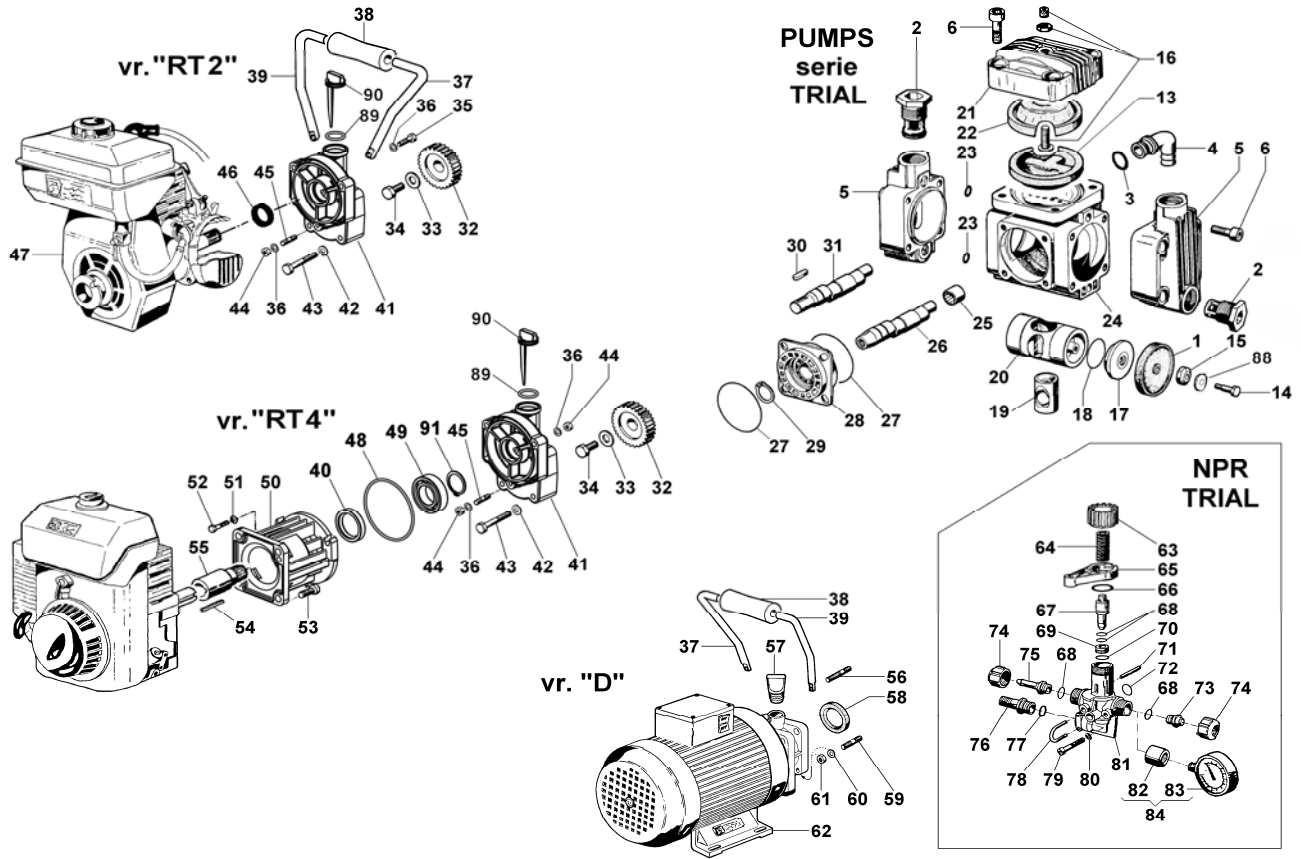
INFORMAZIONI UTILI USEFUL INFORMATION				
LUBRIFICANTE- LUBRICANT: OLIO MOTORE O SEMIDRAULICO SAE 30 MOTOR OIL OR SEMI-HYDRAULIC OIL SAE 30				
PRESSIONE ACCUMULATORE ACCUMULATOR PRESSURE				
PRESSIONE DI LAVORO - OPERATING PRESSURE	2 ÷ 5	5 ÷ 10	10 ÷ 20	20 ÷ 50
ACCUMULATORE ACCUMULATOR	2	2 ÷ 5	5 ÷ 7	6 ÷ 8

KIT	KIT MEMBRANE - DIAPHRAGMS KIT				KIT NPR - NPR KIT									
	BUNA - N				KIT VALVOLA VALVE KIT									
POSIZIONE ESPLOSO POSITION NUMBER	1	13	22	23	66	67	68	69	70	72	77			
QUANTITA' NEL KIT QUANTITIES INCLUDED	2	1	1	4	1	1	4	1	1	1	1			

### KIT POMPA/KIT VALVOLE - PUMP KIT/VALVES KIT

KIT	11.9880.97.3	KIT POMPA (TRIAL D) PUMP KIT (TRIAL D)				11.9881.97.3	KIT POMPA (TRIAL RT2) PUMP KIT (TRIAL D)				11.9883.97.3	KIT POMPA (TRIAL RT4) PUMP KIT (TRIAL D)				11.9870.97.3	KIT VALVOLE VALVE KIT	
		2 O-ring	18	23	27		58	2 O-ring	18	23		27	46	2 O-ring	18			23
QUANTITA' NEL KIT QUANTITIES INCLUDED	4+4	2	4	2	1	4+4	2	4	2	1	4+4	2	4	2	1	1	2	4

# TRIAL D - RT2 - RT4



POS.	CODICE PART NO. REF.	DENOMINAZIONE - DESCRIPTION - DESCRIPTION	Q.TY	POS.	CODICE PART NO. REF.	DENOMINAZIONE - DESCRIPTION - DESCRIPTION	Q.TY
1	12.0040.31.2	DIAPHRAGM	2	51	84.3585.00.2	WASHER DIA.6	2
2	11.9812.97.3	VALVES	4	52	86.2301.00.2	SCREW M6x35 UNI5737	2
3	80.3090.00.2	O-RING 2,0x16	1	53	86.2562.00.2	SCREW M8x20 UNI5931	4
4	84.0510.00.2	INLET SUCTION DIA. 15-0,59"	1	53	86.2566.00.2	SCREW TE 5/16"-24 UNF 3/4"	4
5	11.0102.09.2	HEAD	2	54	80.6445.00.2	KEY 5x5x30 (S-TYPE)	1
6	86.2730.00.2	SCREW M8x30 UNI5931	12	54	80.6436.00.2	KEY 4,75x5x30 (Q-TYPE)	1
13	10.0040.31.2	LOWER ACCUMULATOR DIAPHRAGM	1	55	31.1626.42.2	PINION GEAR HONDA G100-S 15 mm	1
14	11.0008.53.2	DIAPHRAGM CLAMPING BOLT	2	55	31.1627.42.2	PINION GEAR (Q) 5/8"	1
15	11.0009.32.2	DISK	2	55	31.1907.42.2	PINION GEAR (Q) 3/4"	1
16	86.1608.50.2	AIR VALVE	1	56	83.8070.00.2	STUD M6X30 UNI 5911	2
17	11.0011.32.2	PISTON HEAD	2	57	11.0020.31.2	OIL PLUG	1
18	80.3005.00.2	O-RING D. 1X28X30	2	58	80.2093.00.2	OIL SEAL	1
19	11.0015.01.2	PLUNGER ROD	1	59	83.8060.00.2	STUD M6X25	2
20	11.0010.09.2	PISTON	1	60	84.3585.00.2	WASHER DIA.6,4x12,5x1,6	2
21	11.0004.09.2	BALLASTER COVER	1	61	81.4542.00.2	NUT M6 UNI5588	4
22	10.0041.31.2	UPPER ACCUMULATOR DIAPHRAGM	1	62	83.2029.00.2	EL. MOTOR SPECIAL	1
23	80.3088.20.2	O-RING	4	62	83.2024.50.2	EL. MOTOR SPECIAL	1
24	11.0121.09.2	PUMP CRANKCASE	1	63	94.0203.32.2	KNOB	1
25	10.9815.97.3	BEARING ASSEMBLY (TRIAL/R)	1	64	94.0073.48.2	SPRING	1
25	81.2520.50.2	BEARING 12X18X12 (TRIAL/D)	1	65	94.0202.32.2	LEVER	1
26	11.0033.42.2	CRANKSHAFT	1	66	80.3199.00.2	O-RING 2,62x21,89	1
27	80.3080.40.2	O-RING D.1,78X53,7	2	67	94.0204.32.2	POPPET	1
28	11.9811.97.2	HOUSING	1	68	80.3175.00.2	O-RING 2,62x10,78	4
29	80.1135.00.2	CIRCLIP	1	69	05.0068.51.2	SEAT	1
30	80.6441.00.2	KEY 5X5X15	1	70	80.3056.00.2	O-RING 1,78x8,73	1
31	11.0032.42.2	CRANKSHAFT	1	71	85.1045.00.2	PIN DIA.3x30	1
32	11.0019.49.2	RING Z=42	1	72	80.3088.00.2	O-RING	1
33	84.3696.00.2	WASHER DIA.8,4x18x2	2	73	94.0201.32.2	PRESSURE REGULATOR PLUG	1
34	86.2474.00.2	SCREW M8X14	1	74	82.0015.00.2	WING NUT G.1/2	2
35	86.2282.00.2	SCREW M6X30 UNI5737	2	75	84.1528.00.2	OUTLET CONNECTOR DIA.8-0,31"	1
36	84.3585.00.2	WASHER DIA.6,4x12,5x1,6	5	76	84.1551.00.2	RETURN CONNECTOR DIA.13-0,51"	1
37	31.1325.61.2	RIGHT HALF HANDLE	1	77	80.3213.50.2	O-RING 3.0x11	1
38	82.8410.00.2	KNOB	1	78	94.0206.49.2	QUICK RELEASE PIN	1
39	31.1324.61.2	LEFT HALF HANDLE	1	79	86.1943.90.2	SCREW M5x45 UNI5931	2
40	80.2117.00.2	OIL SEAL DIA. 30x40x7	1	80	84.3542.00.2	WASHER DIA.5,3x10x1	2
41	11.0016.09.2	GEARBOX CRANKCASE	1	81	94.0200.32.2	PRESSURE REGULATOR BODY	1
42	84.3585.00.2	WASHER DIA.6,4x12,5x1,6	4	82	94.0207.32.2	NIPPLES G.1/2 - G.1/4	1
43	86.2350.00.2	SCREW M6x45 UNI 5737	4	83	83.0010.00.2	PRESSURE GAUGE	1
44	81.4545.00.2	NUT M6 UNI5587	3	84	94.9849.97.3	PRESSURE GAUGE KIT	1
45	83.8012.00.2	STUD M6X18 UNI5914	1	85	84.3630.00.2	SPRING WASHER	2
46	80.2039.00.2	OIL SEAL DIA.15x30x7	1	86	12.0045.72.2	GASKET	1
47	83.2188.30.2	CM46 ENGINE (SELF-WIDING) HP2	1	87	80.2116.00.2	OIL SEAL DIA.28X40X7	1
47	83.2100.40.2	MOTOR 2T OLEOMAC S50 SPECIAL	1	88	84.3620.10.2	WASHER DIA. 7,3x12x0,5	2
48	80.3210.64.2	O-RING DIA. 2,62x75,87	1	89	80.3187.00.2	O-RING 2,62x17,86	1
49	81.2700.00.2	BEARING 25X47X12	1	90	11.0022.32.2	OIL ROD	1
50	94.0330.09.2	FLANGE TRIAL/R4	1	91	80.1185.00.2	SNAP RING D.25	1