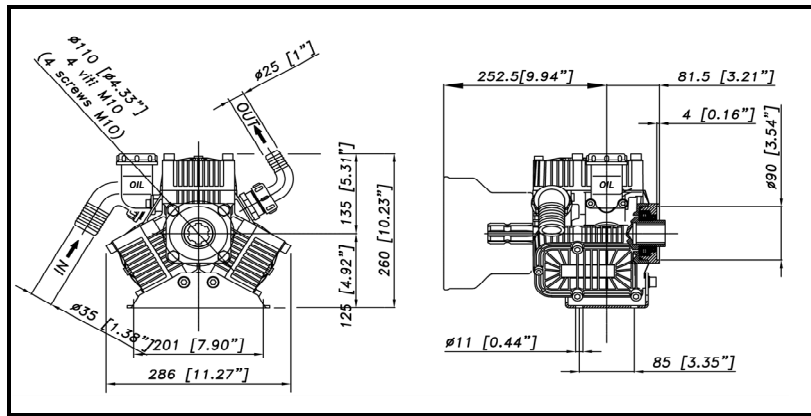
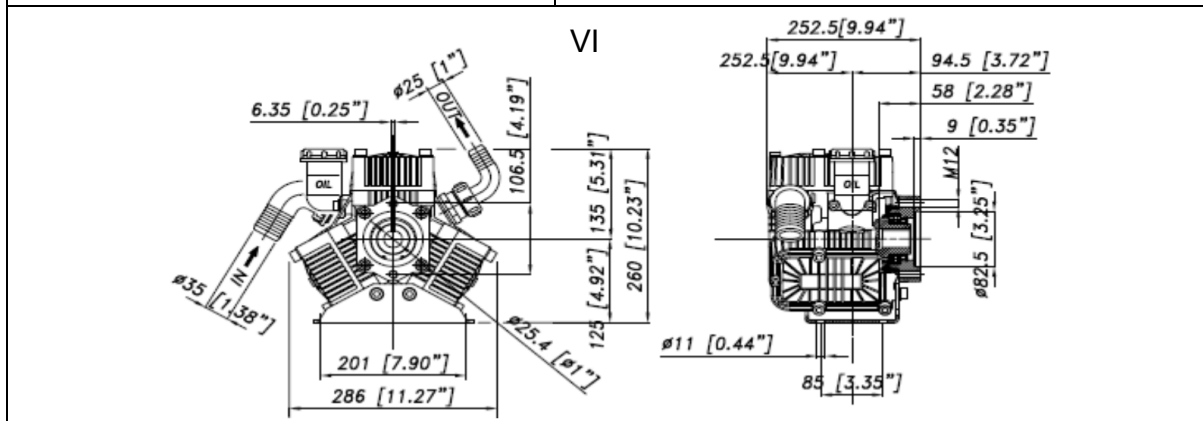
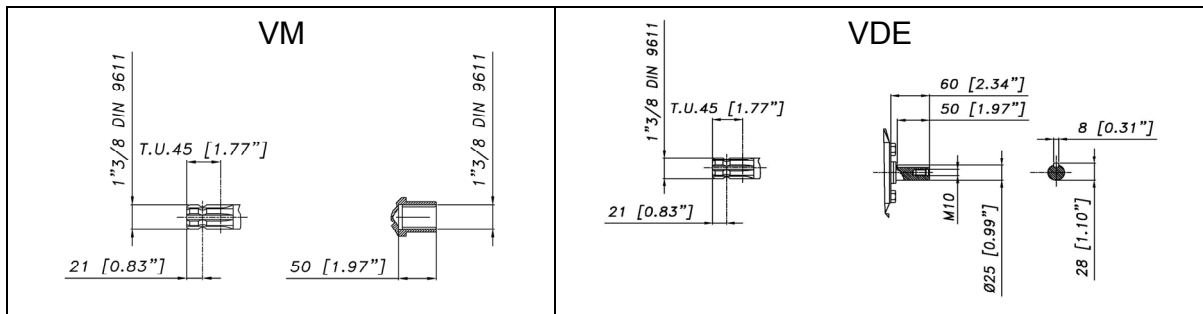


DIMENSIONI D'INGOMBRO - OVERALL DIMENSIONS



ALBERO POMPA - PUMP SHAFT



COPPIA DI SERRAGGIO - TORQUE CHART					
CODICE - CODE	Q.TY	POS	N.m	Lbr.ft	
63.0018.51.2	3	33	25	18.5	
83.5089.00.2	1	41	20	14.8	
85.2585.00.2	1	50	5 (LOXEAL 55-14)	3.7 (LOXEAL 55-14)	
86.2682.50.2	2	22	5	3.7	
86.3002.00.2	3	36	10	7.4	
86.3184.00.2	4	31	22	16.3	
86.3264.00.2	3	17	44	32.5	
86.3562.50.2	12	35	30	22	

Tolleranza di serraggio: 0/-10%
Tolerance on torque value:

INFORMAZIONI UTILI USEFUL INFORMATION				
LUBRIFICANTE- LUBRICANT: OLIO MOTORE O SEMIDRAULICO SAE 30 MOTOR OIL OR SEMI-HYDRAULIC OIL SAE 30				
PRESSIONE ACCUMULATORE ACCUMULATOR PRESSURE				
PRESSIONE DI LAVORO - OPERATING PRESSURE	2 + 5	5+10	10 + 20	20 + 50
ACCUMULATORE ACCUMULATOR	/	/	/	/

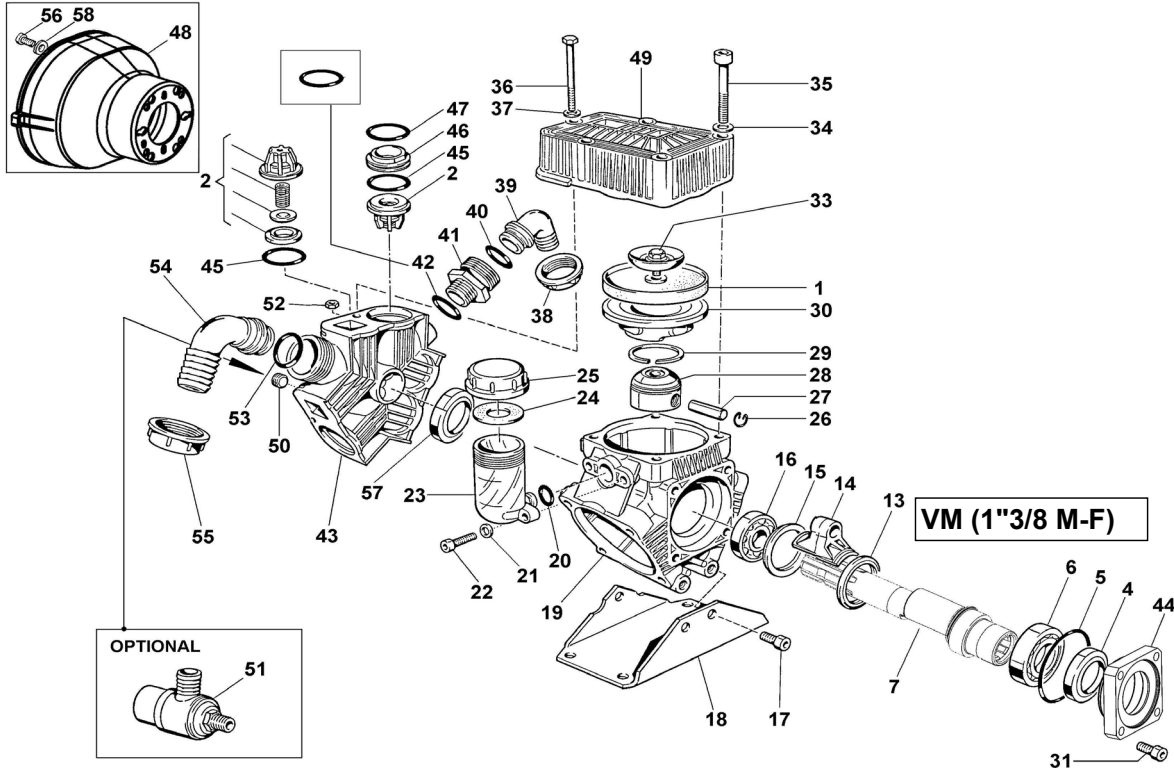
KIT MEMBRANE - DIAPHRAGMS KIT

KIT	BUNA - N			DESMOPAN			VITON				PENTAX						
	63.9871.97.3	1	45	47	63.9873.97.3	1	45	47	63.9826.97.3	1	45	47	42	63.9825.97.3	1	45	47
POSIZIONE ESPLOSO POSITION NUMBER																	
QUANTITA' NEL KIT QUANTITIES INCLUDED	3	6	4		3	6	4		3	6	4	1		3	6	4	

KIT POMPA/KIT VALVOLE - PUMP KIT/VALVES KIT

KIT	KIT POMPA PUMP KIT					VALVOLE INOX 303 VALVES KIT 303			VALVOLE INOX 316 VALVES KIT 316					
	63.9879.97.3	5	4	45	47	57	63.9872.97.3	2	45	47	63.9906.97.3	2	45	47
POSIZIONE ESPLOSO POSITION NUMBER														
QUANTITA' NEL KIT QUANTITIES INCLUDED	1	1	6	4	1		6	6	4		6	6	4	

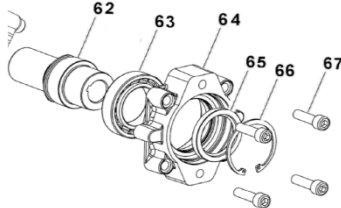
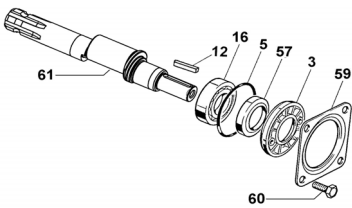
POLY 2073 VM (1"3/8 M-F)



VERSIONI

VDE (1"3/8 -D.25 M-M)

VI (1")



POS.	CODICE PART NO. REF.	DENOMINAZIONE - DESCRIPTION - DESCRIPTION	Q.TY	POS.	CODICE PART NO. REF.	DENOMINAZIONE - DESCRIPTION - DESCRIPTION	Q.TY
1	95.0040.31.2	BUNA - N PISTON DIAPHRAGM	3	38	82.0067.50.2	WING NUT G.1"	1
1	95.0040.33.2	VITON PISTON DIAPHRAGM (OPT.)	3	39	84.0542.40.2	90° ELBOW CONNECTOR DIA.25-1"	1
1	95.0040.00.2	DESMOPAN PISTON DIAPHRAGM (OPT.)	3	40	80.3219.05.2	O-RING DIA.2.62x20,24	1
1	95.0040.36.2	HPS PISTON DIAPHRAGM (OPT.)	3	41	83.5089.50.2	NIPPLES G.1"-G.1 1/4	1
2	28.9905.97.3	S.S. AISI 316 VALVE ASSY (STD.)	6	42	80.3218.00.2	O-RING DIA.3x22	1
2	28.9809.97.3	S.S. AISI 303 VALVE ASSY (OPT.)	6	42	80.3218.50.2	O-RING DIA.3x22 (KIT VITON)	1
2	63.9800.97.3	POLYPROP. VALVE ASSY (OPT.)	6	43	63.0110.32.2	MANIFOLD	1
3	53.0007.32.2	HOUSING "VDE"	1	44	63.0119.54.2	FLANGE "VM"	1
4	80.2191.00.2	OIL SEAL "VM"	1	45	80.3320.60.2	O-RING DIA.5x40	6
5	80.3310.00.2	O-RING DIA.4,0x82	1	45	80.3320.70.2	O-RING DIA.5x40 (KIT VITON)	6
6	81.2933.00.2	BEARING 45X75X16	1	46	28.0229.32.2	VALVE ASSY SPACER	4
7	63.0118.26.2	CRANKSAFT "VM"	1	47	80.3219.80.2	O-RING DIA.3x39	4
12	80.6540.00.2	TAB 8x7x45 UNI 6604 "VDE"	1	47	80.3219.90.2	O-RING DIA.3x39 (KIT VITON)	4
13	26.0047.76.2	CIRCLIP	1	48	31.1799.32.2	PLAIN SAFETY CONE (OPT.)	1
14	23.0005.09.2	LIGHT ALLOY CONROD	3	49	63.0022.32.2	HEAD	3
14	23.0045.11.2	BRONZE CONROD (OPT.)	3	50	85.2585.00.2	CAP G.3/8	1
15	63.0114.76.2	RING	1	51	24.3015.97.3	SAFETY VALVE 15 BAR (OPT.)	1
16	81.2837.00.2	BEARING 35X62X14 "VM"	1	52	81.4574.50.2	NUT M8 UNI 5588	3
16	81.2837.00.2	BEARING 35X62X14 "VDE"	2	53	80.3219.15.2	O-RING DIA. 3x30 VITON	1
17	86.3264.00.2	BOLT M10x25 UNI 5931	3	54	84.0570.00.2	90° ELBOW CONNECTOR DIA.35-1,37"	1
18	63.0006.61.2	MOUNTING RAIL	1	54	84.0561.00.2	90° ELBOW CONNECTOR DIA.30-1,18" (OPT.)	1
19	63.0111.09.2	CRANKCASE VM - VDE	1	54	84.0566.00.2	90° ELBOW CONNECTOR DIA.32-1,25" (OPT.)	1
20	80.3180.00.2	O-RING DIA.2.62x15.08	1	54	84.0571.00.2	90° ELBOW CONNECTOR DIA.38-1,49" (OPT.)	1
21	84.3685.50.2	WASHER DIA.8.2x15x1.5	2	54	84.0591.00.2	90° ELBOW CONNECTOR DIA.40-1,57" (OPT.)	1
22	86.2682.50.2	BOLT M8x25 UNI 5931	2	55	82.0070.00.2	WING NUT G.1 1/2	1
23	23.0008.32.2	OIL FILLER	1	56	86.1843.00.2	BOLT D.4.8x16 UNI 6954 (OPT.)	3
24	82.4120.00.2	GASKET DIA.19x45x1.5	1	57	80.2143.10.2	OIL SEAL	1
25	85.2750.00.2	OIL FILLER CAP	1	58	84.3542.00.2	WASHER DIA.5,3x10x1 UNI 6592 (OPT.)	3
26	80.0021.00.2	RING DIA.15	6	59	17.0016.61.2	FLANGE "VDE"	1
27	85.2006.70.2	PISTON PIN DIA.15x46	3	60	86.3184.00.2	BOLT M10x16 UNI 5739 "VDE"	4
28	63.0014.09.2	PISTON	3	61	63.0113.26.2	CRANKSAFT "VDE"	1
29	81.8504.50.2	PISTON RING	3	62	63.0127.26.2	SHAFT "VI"	1
30	63.0015.01.2	PISTON SLEEVE	3	63	81.2933.00.2	BEARING 45X75X16	1
31	86.3300.50.2	BOLT M10X30 UNI 5931 "VM"	4	64	63.0126.07.2	FLANGE	1
33	63.9801.97.3	KIT SCREW/DISK INOX	3	65	80.2191.10.2	OIL SEAL	1
34	84.3801.50.2	WASHER DIA.10.5x21x2	12	66	80.1400.00.2	RING	1
35	86.3562.50.2	BOLT M10x70 UNI 5931	12	67	86.3348.00.2	SCREW TCEI M10X35	4
36	86.3002.00.2	BOLT M8x75 UNI 5931	3	68	95.0097.61.2	CRANKSHAFT SPACER	1
37	84.3693.00.2	WASHER DIA.8.4x17x1.6	3				