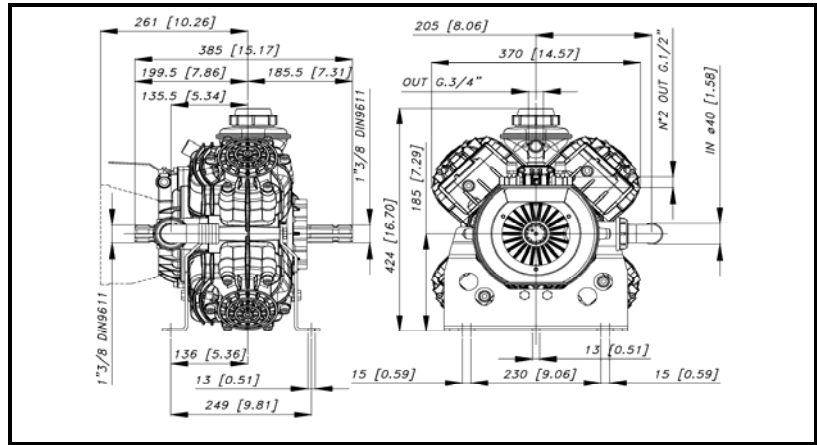
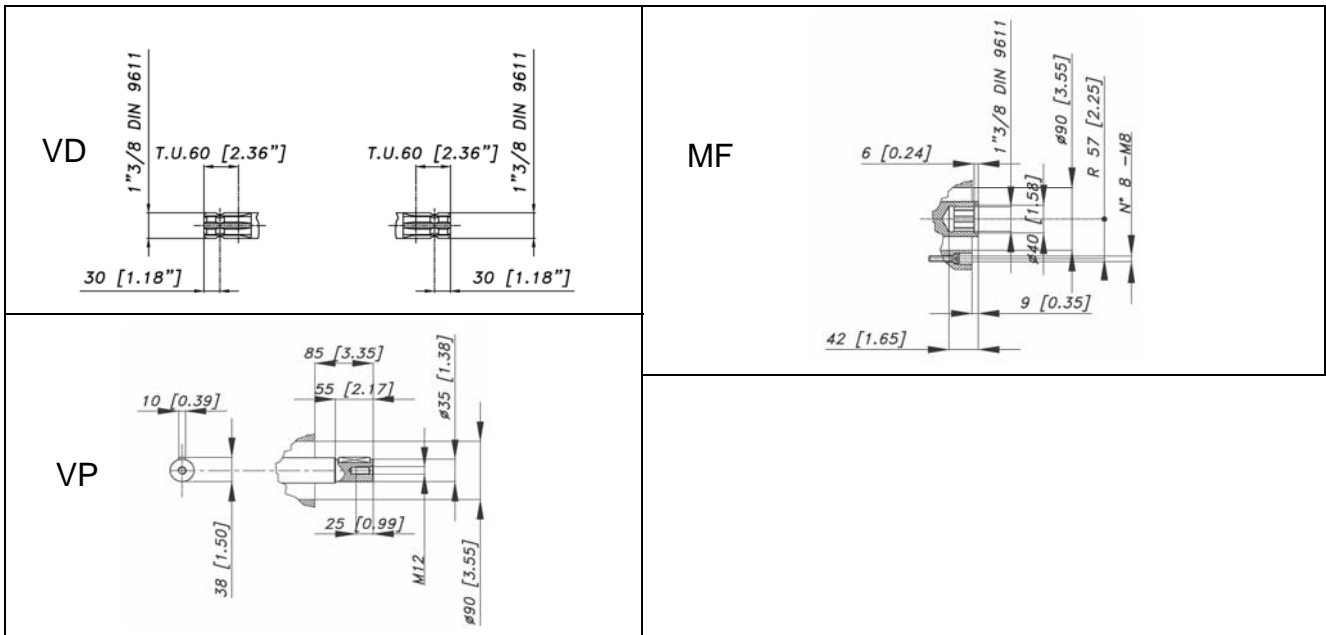




DIMENSIONI D'INGOMBRO - OVERALL DIMENSIONS



ALBERO POMPA - PUMP SHAFT



COPPIA DI SERRAGGIO - TORQUE CHART

CODICE - CODE	Q.TY	POS	N-m	Lbr-ft
86.2562.00.2	8	11	22	16.2
41.9835.97.3	4	3	25	18.4
86.4139.00.2	2	14	68	50.2
86.3740.00.2	2	16	68	50.2
86.2440.00.2	2	31	7	5.2
86.4025.10.2	2	33	68	50.2
81.4706.00.2	2	34	68	50.2
86.2428.00.2	6	39	7	5.2
86.2428.00.2	8	51	7	5.2
86.3638.00.2	8	56	44	32.5
86.3600.00.2	16	57	44	32.5
86.2216.00.2	2	64	5	3.7
86.2547.00.2	2	70	22	16.2

Tolleranza di serraggio: 0/-10%
Tolerance on torque value:

INFORMAZIONI UTILI
USEFUL INFORMATION

LUBRIFICANTE- LUBRICANT:

OLIO MOTORE O SEMIIDRAULICO SAE 75-W90
MOTOR OIL OR SEMI-HYDRAULIC OIL SAE 75-W90

PRESSIONE ACCUMULATORE
ACCUMULATOR PRESSURE

PRESSIONE DI LAVORO - OPERATING PRESSURE	2 ÷ 5	5÷10	10 ÷ 20	20 ÷ 40
ACCUMULATORE ACCUMULATOR	2	2 ÷ 5	5 ÷ 7	6 ÷ 8

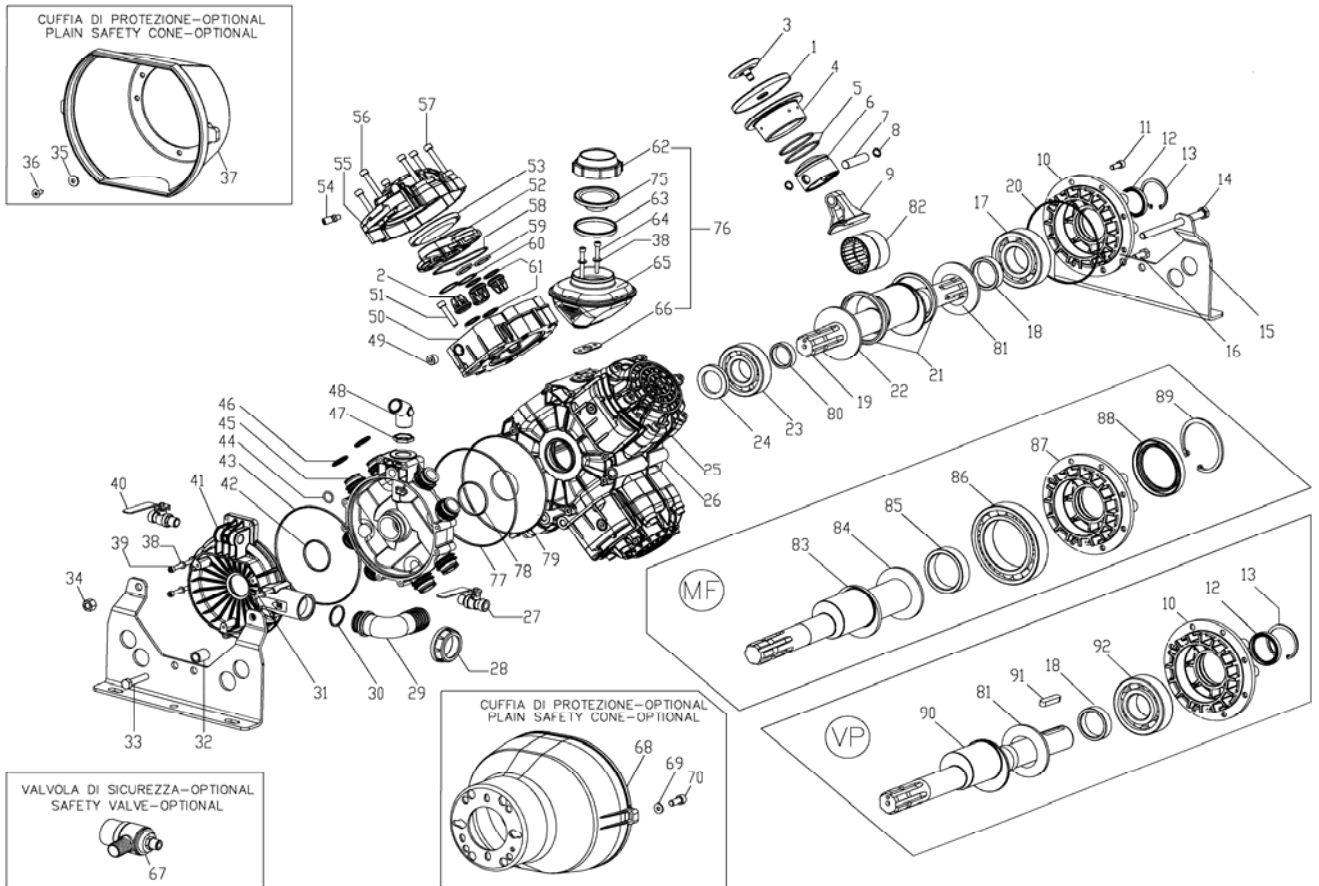
KIT MEMBRANE/KIT VALVOLE - DIAPHRAGMS KIT /VALVES KIT

KIT	BUNA - N 40.9802.97.3 DESMOPAN 40.9803.97.3 HPS 40.9804.97.3 PENTAX 40.9811.97.3						VITON 40.9805.97.3								40.9806.97.3	KIT VALVOLE VALVE KIT				
	1	46	53	58	60	61	1	46	53	58	60	61	42	43		44	77	78	2	60
POSIZIONE ESPLOSO POSITION NUMBER	1	46	53	58	60	61	1	46	53	58	60	61	42	43	44	77	78	2	60	61
QUANTITA' NEL KIT QUANTITIES INCLUDED	4	8	4	4	8	16	4	8	4	4	8	16	1	1	1	1	1	16	8	16

KIT POMPA- PUMP KIT

KIT	40.9806.97.3	KIT POMPA VD-VP PUMP KIT VD-VP																40.9813.97.3	KIT POMPA MF PUMP KIT MF															
		46	58	60	61	42	43	44	12	20	24	77	78	46	58	60	61		42	43	44	88	20	24	77	78								
POSIZIONE ESPLOSO POSITION NUMBER		46	58	60	61	42	43	44	12	20	24	77	78	46	58	60	61	42	43	44	88	20	24	77	78									
QUANTITA' NEL KIT QUANTITIES INCLUDED		8	4	8	16	1	1	1	1	1	1	1	1	8	4	8	16	1	1	1	1	1	1	1	1									

PPS 1613 - 1615



POS.	CODICE PART NO. REF.	DENOMINAZIONE - DESCRIPTION - DESCRIPTION	Q.TY	POS.	CODICE PART NO. REF.	DENOMINAZIONE - DESCRIPTION - DESCRIPTION	Q.TY
1	95.0040.31.2	BUNA-N PISTON DIAPHRAGM	4	43	80.3292.50.2	O-RING DIA.3,53X171,05 VITON	1
1	95.0040.33.2	VITON PISTON DIAPHRAGM (OPTIONAL)	4	44	80.3181.10.2	O-RING DIA.2,62X15,54 VITON	1
1	95.0040.00.2	DESMOPAN PISTON DIAPHRAGM (OPTIONAL)	4	45	40.0004.32.2	MANIFOLD	1
1	95.0040.36.2	HPS PISTON DIAPHRAGM (OPTIONAL)	4	46	80.3204.50.2	O-RING DIA.2,62X23,81 VITON	8
1	95.0040.37.2	PENTAX PISTON DIAPHRAGM (OPTIONAL)	4	47	81.4909.00.2	NUT G.3/4 OT.	1
2	40.9800.97.3	VALVES ASSEMBLY	16	48	83.5063.28.2	60° ELBOW CONNECTOR G.3/4	1
3	41.9835.97.3	KIT DISK + SCREW INOX	4	49	85.2586.00.2	CAP EI G.3/8	4
4	41.0026.01.2	PISTON SLEEVE (PPS 1613)	4	50	40.0002.32.2	PUMP HEAD	4
4	43.0015.01.2	PISTON SLEEVE (PPS 1615)	4	51	86.2428.00.2	SCREW TCEI M6X65	8
5	81.8524.00.2	PISTON RING (PPS 1613)	8	52	40.0003.32.2	LOWER BALLASTER	4
5	81.8527.00.2	PISTON RING (PPS 1615)	8	53	40.0011.31.2	BUNA-N BALLASTER DIAPHRAGM	4
6	41.0025.09.2	PISTON (PPS 1613)	4	53	40.0011.33.2	VITON BALLASTER DIAPHRAGM (OPTIONAL)	4
6	37.0016.09.2	PISTON (PPS 1615)	4	54	86.1605.00.2	AIR VALVE	4
7	85.2007.00.2	PIN 15x54	4	55	40.0014.09.2	LEFT BALLASTER COVER	2
8	80.0021.00.2	SNAP RING	8	56	86.3638.00.2	SCREW TCEI M10X110	8
9	41.0165.09.2	CONROD	4	57	86.3600.00.2	SCREW TCEI M10X95	16
10	48.0003.09.2	BEARING COVER (VD-VP VERSIONS)	1	58	40.0022.33.2	SHAPE O-RING VITON	4
11	86.2562.00.2	SCREW TCEI M8X20	8	59	40.0015.61.2	SPACER	8
12	80.2178.10.2	OIL SEAL DIA.40x52x7	1	60	80.3208.05.2	O-RING DIA.2,62X31,42 VITON	8
13	80.1369.00.2	RING DIA.52	1	61	80.3205.60.2	O-RING DIA. 2,62X25,07 VITON	16
14	86.4139.00.2	SCREW TE M12X160	2	62	28.0144.32.2	OIL FILLER COVER	1
15	40.0009.61.2	MOUNTING RAIL	2	63	14.0116.32.2	SPACER	1
16	86.3740.00.2	SCREW TE M12X30	2	64	86.2216.00.2	SCREW TCEI M6X25	2
17	81.2913.00.2	BEARING DIA.40X90X23	1	65	40.9801.97.3	ASSEMBLY OIL FILLER	1
18	40.0025.76.2	SHAFT SPACER DIA.40	1	66	14.0017.72.2	GASKET	1
19	41.0150.26.2	SHAFT VD VERSION	1	67	24.3050.97.3	SAFETY VALVE 50 BAR (OPTIONAL)	1
20	80.3210.68.2	O-RING DIA.2,62X120,32	1	68	31.1482.32.2	PLAIN SAFETY CONE L.180 (OPTIONAL)	1
21	14.0015.76.2	CONROD HOLDING RING	2	68	31.1468.32.2	PLAIN SAFETY CONE L.135 (OPTIONAL)	1
22	41.0153.61.2	SHAFT RING DIA.35	1	69	84.3696.00.2	WASHER DIA. 8.4 (OPTIONAL)	2
23	81.2867.00.2	BEARING DIA.35X80X21	1	70	86.2547.00.2	SCREW TCEI M8X18 (OPTIONAL)	2
24	80.2143.10.2	OIL SEAL DIA.35X52X7	1	75	41.0017.31.2	DIAPHRAGM OIL FILLER	1
25	40.0006.09.2	RIGHT BALLASTER COVER	2	76	40.9809.97.3	OIL FILLER KIT	1
26	40.0001.09.2	CRANKCASE	1	77	80.3291.12.2	O-RING DIA.3,53X132,9 VITON	1
27	84.5544.00.2	RIGHT TAP G.3/8-G.1/2	1	78	80.3283.71.2	O-RING DIA.3,53X68,26 VITON	1
28	82.0070.00.A	WING NUT G.1"1/2	1	79	40.0199.68.2	DISK	1
29	84.0591.00.2	90° ELBOW CONNECTOR DIA.40-1,57"	1	80	41.0156.76.2	SHAFT SPACER DIA.35	1
30	80.3219.10.2	O-RING DIA.3.0x30	1	81	41.0154.61.2	SHAFT RING DIA.40	1
31	86.2440.00.2	SCREW TCEI M6X100	2	82	81.2950.00.2	NEEDLE ROLLER BEARING	2
32	40.0018.75.2	SPACER	2	83	41.0151.26.2	SHAFT MF VERSION	1
33	86.4025.10.2	SCREW TE M12X55	2	84	41.0155.61.2	SHAFT RING DIA.50	1
34	81.4706.00.2	NUT M12	2	85	40.0026.76.2	SHAFT SPACER DIA.50	1
35	84.3560.00.2	WASHER DIA.5,5x15x1,6 (OPTIONAL)	3	86	81.2970.00.2	ROLLER BEARING DIA.50X90X23	1
36	86.1846.00.2	SCREW TCTC 5,5x16 (OPTIONAL)	3	87	39.0018.09.2	BEARING COVER (MF VERSION)	1
37	31.1466.32.2	PLAIN SAFETY CONE (OPTIONAL)	1	88	80.2235.50.2	OIL SEAL DIA.50X85X10	1
38	84.3585.00.2	WASHER DIA.6	10	89	80.1429.00.2	SNAP RING DIA.85	1
39	86.2428.00.2	SCREW TCEI M6X65	6	90	41.0152.26.2	SHAFT VP VERSION	1
40	84.5544.10.2	LEFT TAP G.3/8-G.1/2	1	91	80.6580.00.2	KEY 10X8X50 UNI 6604	1
41	40.0005.32.2	COVER	1	92	81.2912.00.2	ROLLER BEARING DIA.40X90X23	1
42	80.3270.50.2	O-RING DIA.3,53X49,2 VITON	1				