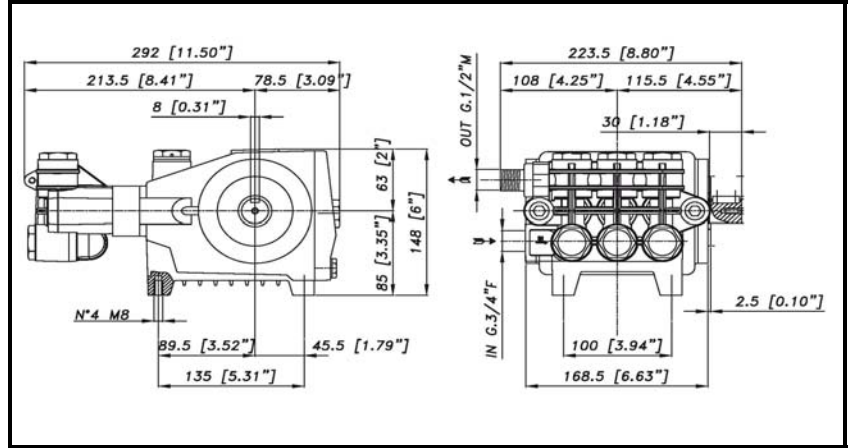
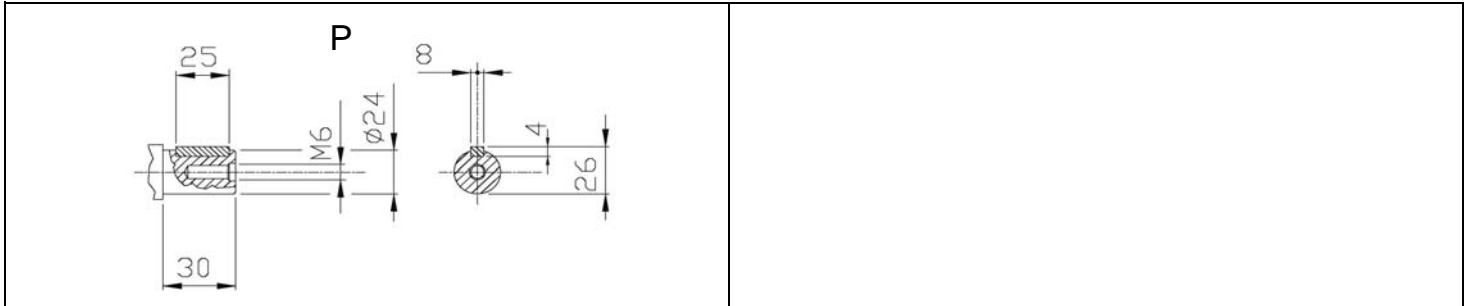


DIMENSIONI D'INGOMBRO - OVERALL DIMENSIONS



ALBERO POMPA - PUMP SHAFT



COPPIA DI SERRAGGIO - TORQUE CHART

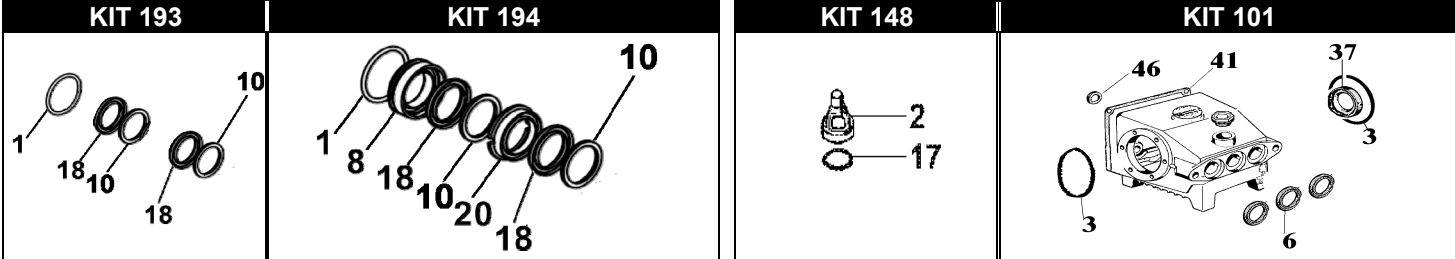
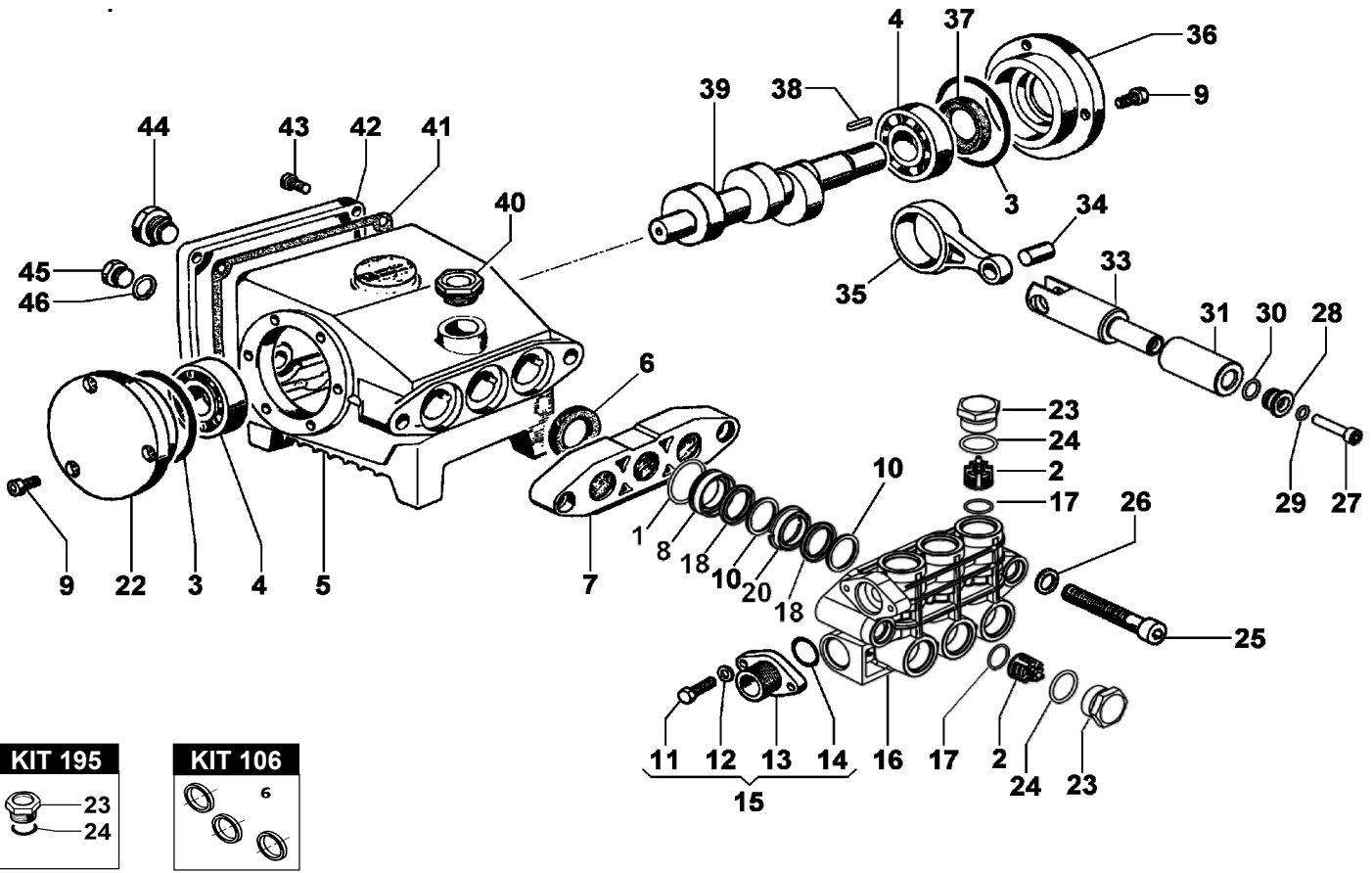
CODICE - CODE	Q.TY	POS	N-m	Lbr.ft
86.2086.00.2	6	9	10	7,4
86.2190.00.2	2	11	10	7,4
38.0389.53.2	6	23	68	50,2
86.4080.00.2	2	25	68	50,2
86.2270.00.2	3	27	8 (LOXEAL 83-54)	5,9 (LOXEAL 83-54)
86.2131.00.2	4	43	10	7,4

Tolleranza di serraggio: 0/-10%
Tolerance on torque value: 0/-10%

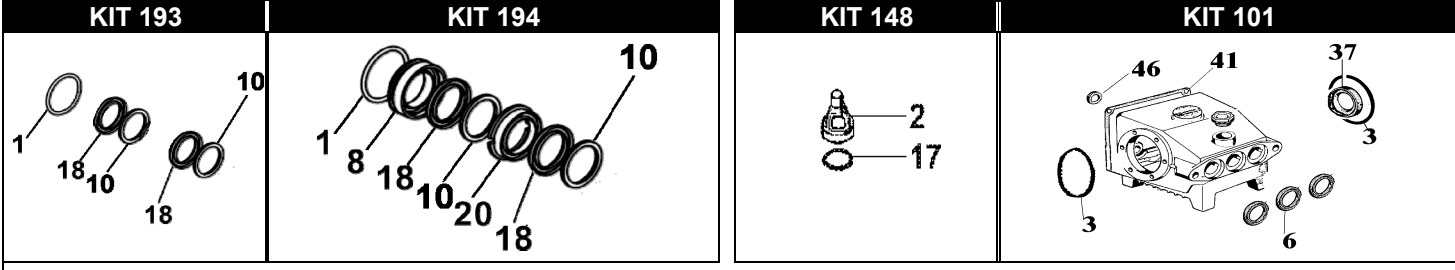
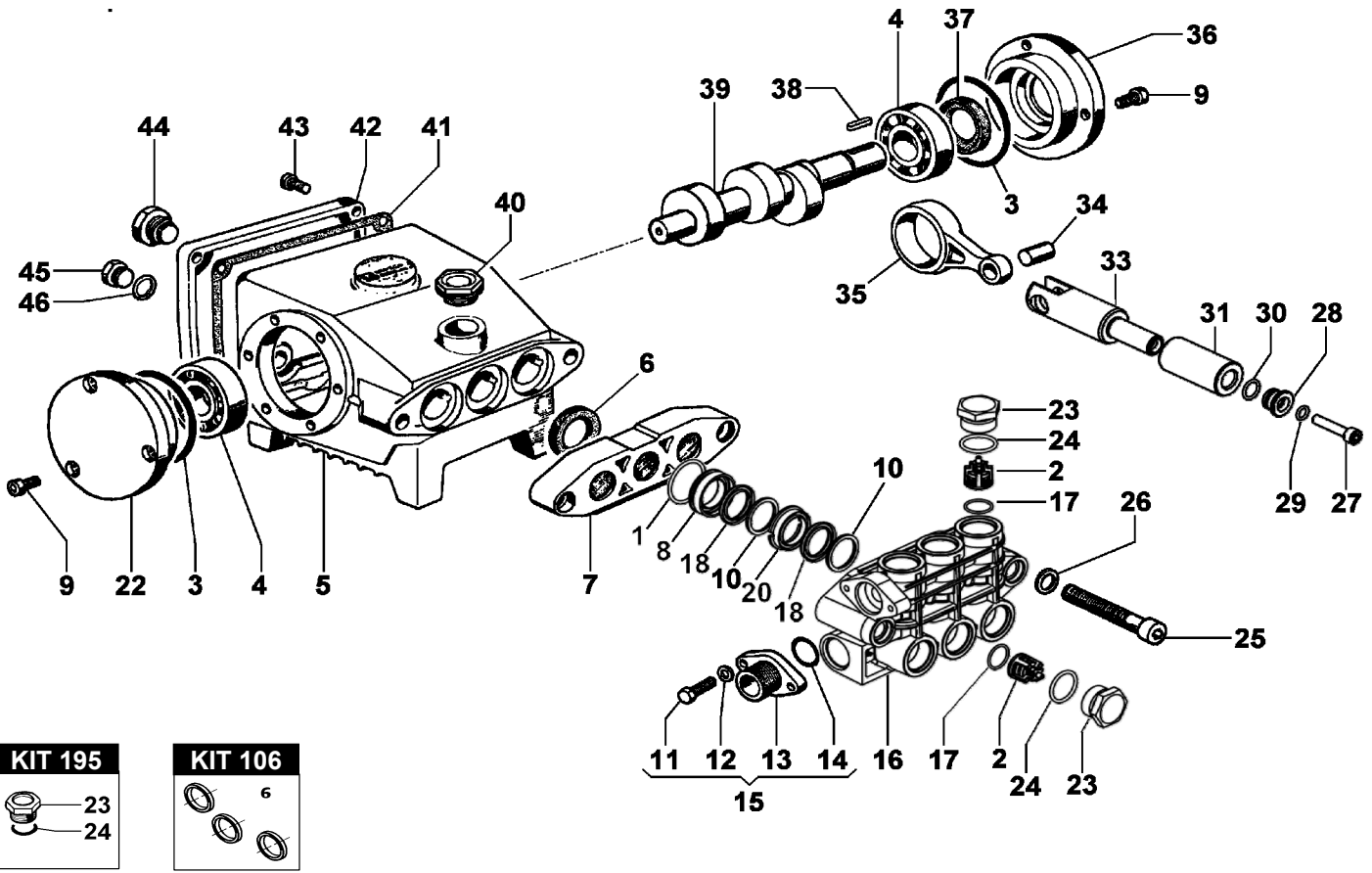
INFORMAZIONI UTILI
USEFUL INFORMATION

LUBRIFICANTE- LUBRICANT:
OLIO MOTORE O SEMIIDRAULICO SAE 30
MOTOR OIL OR SEMI-HYDRAULIC OIL SAE 30





POS.	CODICE PART NO. RÉF.	DENOMINAZIONE - DESCRIPTION - DESCRIPTION	Q.TY	POS.	CODICE PART NO. RÉF.	DENOMINAZIONE - DESCRIPTION - DESCRIPTION	Q.TY
1-kit 193-194	803208202	O-RING	3	26	843896002	WASHER DIA.13	2
2-kit 148	089806973	VALVES ASSEMBLY	6	27	862270002	BOLT	3
3-kit 101	803080702	O-RING	2	28	380506532	WHASHER	3
4	812725002	BEARING 25X62X17	2	29	803050002	O-RING DIA.1.78X6,07	3
5	386001092	CRANKCASE	1	30	803058002	O-RING DIA.1.78X10,52	3
6-kit 106-101	802094002	OIL SEAL	3	31	060011182	CERAMIC PISTON	3
7	386397092	SPACER	1	33	380500512	PLUNGER ROD	3
8-kit 194	380509532	GLAND DIA 24 MM	3	34	852006232	PISTON PIN	3
9	862086002	BOLT TCEI M6X14	6	35	380063082	CONNECTING ROD	3
10-kit 193-194	060015322	THRUST RING	6	36	386004092	FLANGE	1
11	862190002	BOLT M6X22	2	37-kit 101	802099002	OIL SEAL	1
12	843585002	WASHER DIA.6,4X12,5X1,6 UNI 6592	2	38	806522002	TAB 8X7X25	1
13	310268282	PIPE FITTING G 1/2	1	39	380457262	CRANKSHAFT HOUSING	1
14	803218002	O-RING DIA.3X22	1	40	852694102	OIL FILLER PLUG	1
15	318878973	FLANGE G.1/2 (OPTIONAL)	1	41-kit 101	380065662	GASKET	1
16	380507092	PUMP HEAD	1	42	386003092	CRANKCASE COVER	1
17-kit 148	803069002	O-RING DIA.2,62X17,13	6	43	862131002	BOLT TCEI M6X18	4
18-kit 193-194	802091502	"V" RING	6	44	853510002	OIL SIGHT GLASS	1
20-kit 194	380508532	REAR GLAND	3	45	852543502	PLUG G.1/4	1
23-kit 195	380510532	VALVE CAP	6	46-kit 101	824079002	GASKET	1
24-kit 195	803204002	O-RING	6				
25	864090002	BOLT	2				
				REPAIR KIT			
				ITEM NO,s INCLUDED			
				PCS.			
				kit 101	389872973	SPARE PARTS KIT	8
				kit 106	389880973	SPARE PARTS KIT	3
				kit 148	089818973	SPARE PARTS KIT	12
				kit 193	389902973	SPARE PARTS KIT	15
				kit 194	389903973	SPARE PARTS KIT	21
				kit 195	389904973	SPARE PARTS KIT	12



POS.	CODICE PART NO. RÉF.	DENOMINAZIONE - DESCRIPTION - DESCRIPTION	Q.TY	POS.	CODICE PART NO. RÉF.	DENOMINAZIONE - DESCRIPTION - DESCRIPTION	Q.TY
1-kit 193-194	803208202	O-RING	3	26	843896002	WASHER DIA.13	2
2-kit 148	089806973	VALVES ASSEMBLY	6	27	862270002	BOLT	3
3-kit 101	803080702	O-RING	2	28	380506532	WHASHER	3
4	812725002	BEARING 25X62X17	2	29	803050002	O-RING DIA.1.78X10.82	3
5	386001092	CRANKCASE	1	30	803058002	O-RING DIA.1.78X12.42	3
6-kit 106-101	802094002	OIL SEAL	3	31	060011182	CERAMIC PISTON	3
7	386397092	SPACER	1	33	380500512	PLUNGER ROD	3
8-kit 194	380509532	GLAND DIA 24 MM	3	34	852006232	PISTON PIN	3
9	862086002	BOLT TCEI M6X14	6	35	380063082	CONNECTING ROD	3
10-kit 193-194	060015322	THRUST RING	6	36	386004092	FLANGE	1
11	862190002	BOLT M6X22	2	37-kit 101	802099002	OIL SEAL	1
12	843585002	WASHER DIA.6,4X12,5X1,6 UNI 6592	2	38	806522002	TAB 8X7X25	1
13	310268282	PIPE FITTING G 1/2	1	39	380457262	CRANKSHAFT HOUSING	1
14	803218002	O-RING DIA.3X22	1	40	852694102	OIL FILLER PLUG	1
15	318878973	FLANGE G.1/2 (OPTIONAL)	1	41-kit 101	380065662	GASKET	1
16	380507092	PUMP HEAD	1	42	386003092	CRANKCASE COVER	1
17-kit 148	803069002	O-RING DIA.2,62X17,13	6	43	862131002	BOLT TCEI M6X18	4
18-kit 193-194	802091502	"V" RING	6	44	853510002	OIL SIGHT GLASS	1
20-kit 194	380508532	REAR GLAND	3	45	852543502	PLUG G.1/4	1
23-kit 195	380510532	VALVE CAP	6	46-kit 101	824079002	GASKET	1
24-kit 195	803204002	O-RING	6				
25	864090002	BOLT	2				

REPAIR KIT	ITEM NO,s INCLUDED	PCS.	
kit 101	389872973	SPARE PARTS KIT	8
kit 106	389880973	SPARE PARTS KIT	3
kit 148	089818973	SPARE PARTS KIT	12
kit 193	389902973	SPARE PARTS KIT	15
kit 194	389903973	SPARE PARTS KIT	21
kit 195	389904973	SPARE PARTS KIT	12