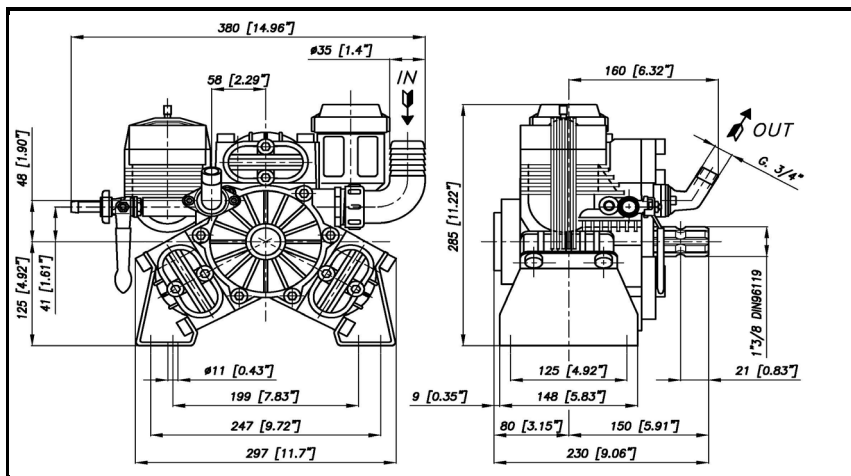
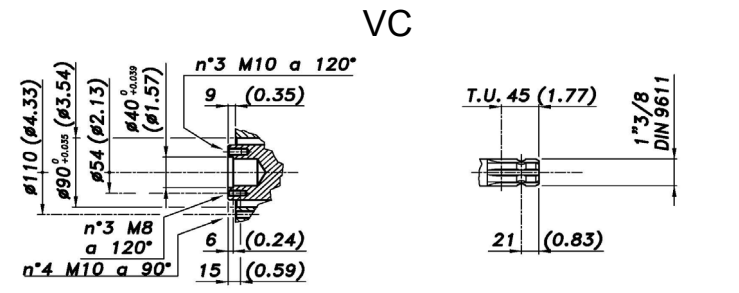
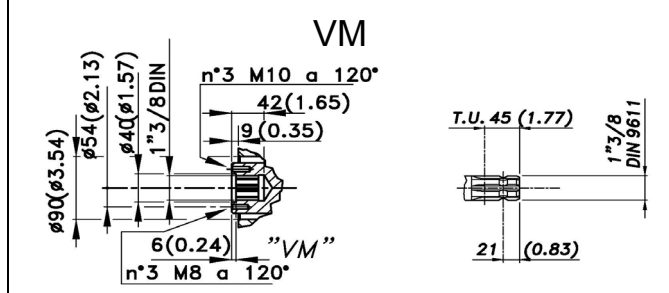
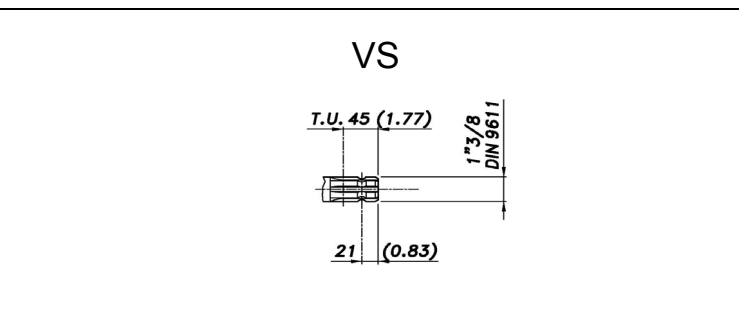
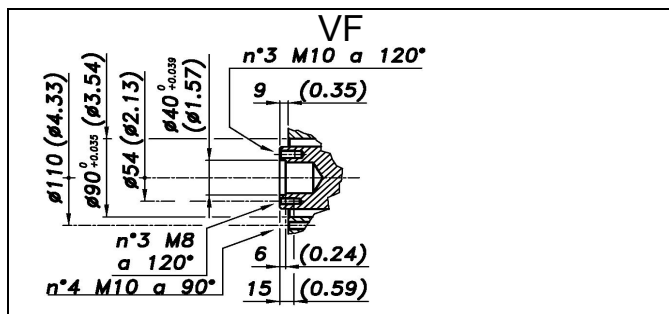


DIMENSIONI D'INGOMBRO - OVERALL DIMENSIONS



ALBERO POMPA - PUMP SHAFT



COPPIA DI SERRAGGIO - TORQUE CHART

CODICE - CODE	Q.TY	POS	N-m	Lbr.ft
23.0055.97.3	3	3	12	8,9
86.2168.00.2	2	40	10	7,4
86.2216.00.2	6	39	10	7,4
86.2730.00.2	2	28	10	7,4
86.3185.00.2	4	18	22	16,2
86.3300.00.2	6	48	44	32,5
86.3575.00.2	4	46	44	32,5
86.3590.00.2	8	32	44	32,5
86.3985.00.2	1	62	68	50,2

Tolleranza di serraggio: 0/-10%
Tolerance on torque value:

**INFORMAZIONI UTILI
USEFUL INFORMATION**

LUBRIFICANTE- LUBRICANT:
OLIO MOTORE O SEMIIDRAULICO SAE 30
MOTOR OIL OR SEMI-HYDRAULIC OIL SAE 30

**PRESSIONE ACCUMULATORE
ACCUMULATOR PRESSURE**

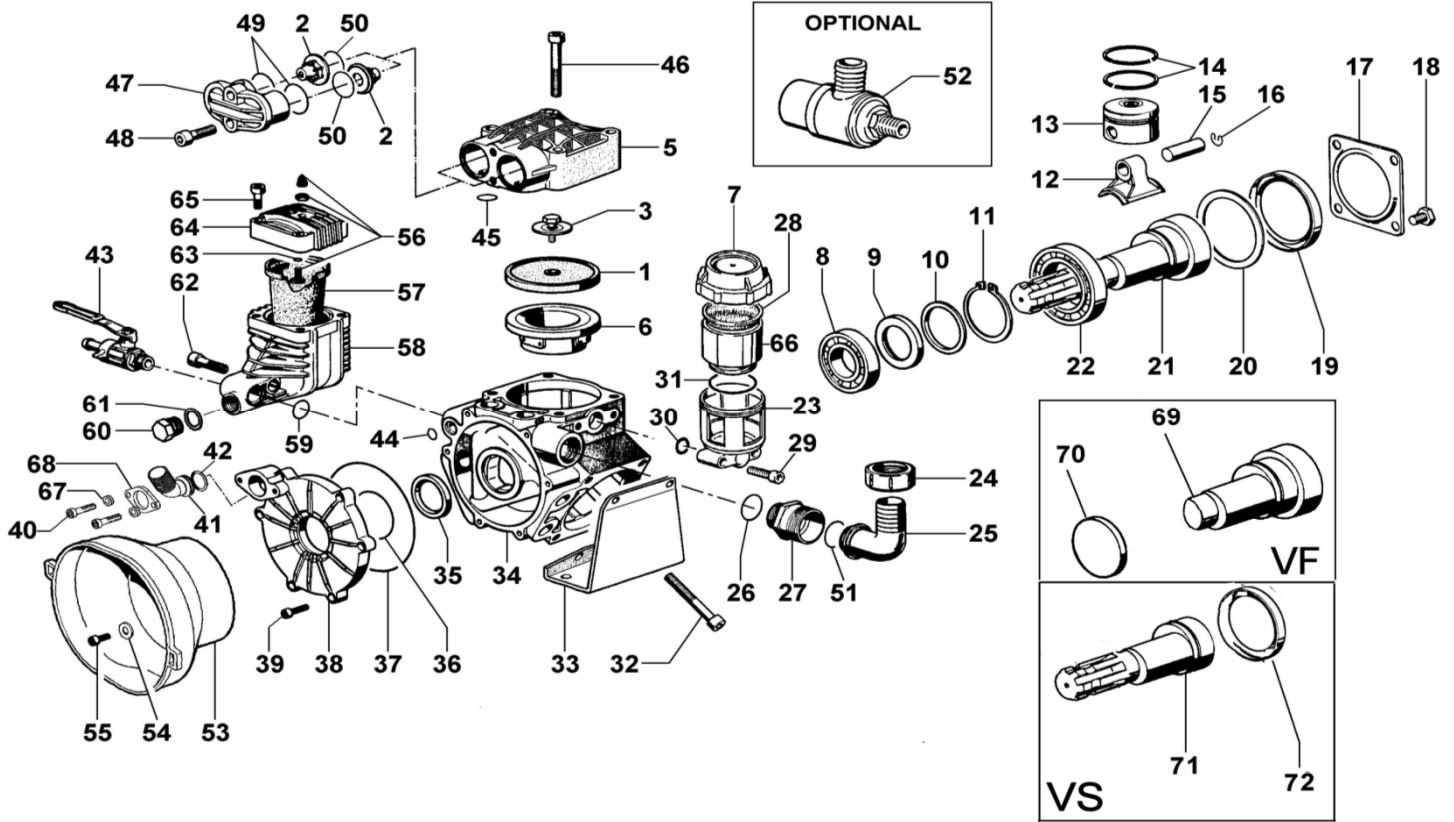
PRESSIONE DI LAVORO - OPERATING PRESSURE	2 + 5	5+10	10 + 20	20 + 50
ACCUMULATORE ACCUMULATOR	2	2 + 5	5 + 7	6 + 8

KIT MEMBRANE - DIAPHRAGMS KIT

KIT	23.9830.97.3	BUNA - N			23.9874.97.3	DESMOPAN			23.9827.97.3	VITON								23.9876.97.3	PENTAX			
POSIZIONE ESPLOSO POSITION NUMBER		1	45	57		1	45	57		1	44	45	49	50	36	37	57	59		1	45	57
QUANTITA' NEL KIT QUANTITIES INCLUDED		3	6	1		3	6	1		3	1	6	6	6	1	1	1	1		3	6	1

KIT POMPA/KIT VALVOLE - PUMP KIT/VALVES KIT

KIT	23.9881.97.3	KIT POMPA VM PUMP KIT VM								23.9829.97.3	KIT VALVOLE VALVE KIT			
POSIZIONE ESPLOSO POSITION NUMBER		35	19	44	45	49	50	36	37	59		2	50	49
QUANTITA' NEL KIT QUANTITIES INCLUDED		1	1	1	6	6	6	1	1	1		6	6	6



POS.	CODICE PART NO. REF.	DENOMINAZIONE - DESCRIPTION - DESCRIPTION	Q.TY
1	23.0011.31.2	PISTON DIAPHRAGM	3
1	23.0011.33.2	VITON PISTON DIAPHRAGM	3
1	23.0011.00.2	DESMOPAN PISTON DIAPHRAGM	3
1	23.0011.36.2	HPS PISTON DIAPHRAGM	3
2	23.9805.97.3	VALVE ASSY	6
3	23.0063.97.3	KIT DISK + SCREW INOX	3
5	23.0052.09.2	HEAD	3
6	23.0059.01.2	PISTON SLEEVE	3
7	28.0144.32.2	OIL FILLER CAP	1
8	81.2846.00.2	BEARING DIA.35x72x17	1
9	23.0019.76.2	RING	1
10	26.0047.76.2	RING	1
11	80.1377.00.2	RING "VM"- "VC"	1
12	23.0005.09.2	CONROD	3
12	23.0045.11.2	BRONZE CONROD (OPTIONAL)	3
13	23.0060.09.2	PISTON	3
14	81.8519.00.2	PISTON RING	6
15	85.2007.00.2	PISTON PIN	3
16	80.0021.00.2	RING	6
17	17.0013.61.2	COVER	1
18	86.3185.00.2	SCREW M10x16 UNI5739	4
19	80.2264.10.2	OIL SEAL	1
20	17.0024.76.2	SPACER	1
21	23.0023.26.2	CRANKSHAFT"VC"(SEE OVERALL DIMENSIONS)	1
21	23.0024.26.2	CRANKSHAFT VERSION "VM" (1"3/8 M-F)	1
22	81.2972.00.2	BEARING DIA.55x90x18	1
23	35.0009.09.2	OIL FILLER	1
24	82.0070.00.2	WING NUT G.1"1/2	1
25	84.0570.00.2	90° ELBOW CONNECTOR DIA.35-1,37"	1
25	84.0561.00.2	90° ELBOW CONNECTOR DIA.30-1,18" (OPT.)	1
25	84.0566.00.2	90° ELBOW CONNECTOR DIA.32-1,25" (OPT.)	1
25	84.0571.00.2	90° ELBOW CONNECTOR DIA.38-1,49" (OPT.)	1
25	84.0591.00.2	90° ELBOW CONNECTOR DIA.40-1,57" (OPT.)	1
26	80.3207.00.2	O-RING 2,62x29,82	1
27	83.5090.18.2	NIPPLES G.1"-G.1"1/2	1
28	41.0017.31.2	SCREW M8x30 UNI5931	1
29	86.2862.00.2	WASHER DIA.8,4x15x1,5	2
30	80.3195.00.2	O-RING 2,62x15,08	1
31	80.3209.40.2	GASKET DIA.45x19x1,5	1
32	86.3590.00.2	SCREW M10x80 UNI 5931	8
33	23.0033.61.2	MOUNTING RAIL	1
34	23.0001.09.2	CRANKCASE till the 04/2016	1
34	23.0201.09.2	CRANKCASE from the 05/2016	1
35	80.2134.50.2	OIL SEAL	1
36	80.3209.80.2	O-RING 2,62x50,47	1
36	80.3209.85.2	O-RING 2,62x50,47 (KIT VITON)	1

POS.	CODICE PART NO. REF.	DENOMINAZIONE - DESCRIPTION - DESCRIPTION	Q.TY
37	80.3210.68.2	O-RING 2,62x120,32	1
37	80.3210.69.2	O-RING 2,62x120,32 (KIT VITON)	1
38	23.0046.09.2	CRANKCASE COVER till the 06/1999	1
38	23.0202.09.2	CRANKCASE COVER from the 05/2016	1
39	86.2216.00.2	SCREW M6x25 UNI5931	6
40	86.2108.00.2	SCREW M6x16 UNI5931	2
41	31.1516.09.2	ADJUSTING KIT G.3/4	1
42	80.3218.00.2	O-RING 3,0x22	1
43	84.5544.10.2	LEFT TAP G.3/8-G.1/2	1
44	80.3176.00.2	O-RING 2,62x11,91 till the 04/2016	1
44	80.3176.50.2	O-RING 2,62x11,91 (KIT VITON) till the 04/2016	1
44	80.3189.00.2	O-RING 2,62x18,72 from the 05/2016	1
44	80.3189.50.2	O-RING 2,62x18,72 (KIT VITON) from the 05/2016	1
45	80.3189.00.2	O-RING 2,62x18,72	6
45	80.3189.50.2	O-RING 2,62x18,72 (KIT VITON)	6
46	86.3575.00.2	SCREW M10x75 UNI5931	4
47	23.0003.09.2	VALVE COVER	3
48	86.3300.00.2	SCREW M10x30 UNI5931	6
49	80.3219.20.2	O-RING 3,0x35	6
49	80.3219.50.2	O-RING 3,0x35 (KIT VITON)	6
50	80.3207.00.2	O-RING 2,62x29,82	6
50	80.3207.50.2	O-RING 2,62x29,82 (KIT VITON)	6
51	80.3219.10.2	O-RING 3,0x30	1
52	24.3040.97.3	SAFETY VALVE 40bar (OPTIONAL)	1
53	31.1467.32.2	SAFETY CONE (OPTIONAL)	1
54	84.3618.00.2	WASHER (OPTIONAL)	3
55	86.2086.00.2	SCREW M6x14 UNI5931 (OPTIONAL)	3
56	86.1608.50.2	AIR VALVE	1
57	23.0041.31.2	BALLASTER DIAPHRAGM	1
57	23.0041.33.2	VITON BALLASTER DIAPH.	1
57	23.0041.36.2	HPS BALLASTER DIAPH.	1
58	23.0039.09.2	DAMPER BODY	1
59	80.3182.00.2	O-RING 2,62x17,13	1
59	80.3182.50.2	O-RING 2,62x17,13 (KIT VITON)	1
60	85.2579.00.2	CAP G.3/8	1
61	82.4107.00.2	GASKET DIA.16,5x23x1	1
62	86.3985.00.2	SCREW M12x50 UNI5931	1
63	80.3213.00.2	O-RING 3,0x6	1
64	11.0004.09.2	BALLASTER COVER	1
65	86.2730.00.2	SCREW M8x30 UNI5931	4
66	41.0016.32.2	OIL FILLER	1
67	84.3585.00.2	WASHER DIA.6 UNI6592	2
68	31.1517.61.2	FLANGE	1
69	23.0028.26.2	CRANKSHAFT"VF" (SEE OVERALL DIMENSIONS)	1
70	80.2099.50.2	CAP 47X7 RCA	1
71	23.0036.26.2	CRANKSHAFT VERSION "VS" (1"3/8 M)	1
72	80.2156.00.2	CAP	1