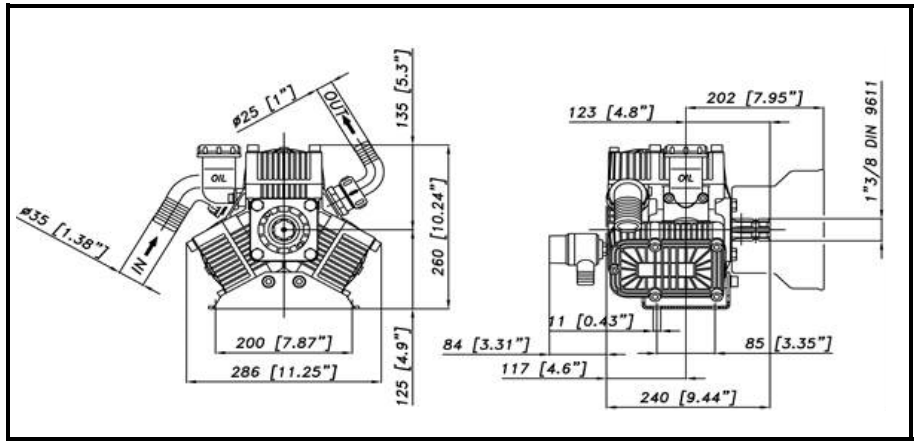


POLY 2073 VS - VP - VA - VI

DIMENSIONI D'INGOMBRO - OVERALL DIMENSIONS



ALBERO POMPA - PUMP SHAFT

| | |
|------------------|-------------------------------|
| <p>VS</p> | <p>VP</p> |
| <p>VA</p> | <p>VI 1" - VI 25mm</p> |

| COPPIA DI SERRAGGIO - TORQUE CHART | | | | | |
|------------------------------------|------|-----|---------------------|-----------------------|--|
| CODICE - CODE | Q.TY | POS | N-m | Lbr.ft | |
| 63.0018.51.2 | 3 | 33 | 25 | 18.5 | |
| 83.5089.00.2 | 1 | 41 | 20 | 14.8 | |
| 85.2585.00.2 | 1 | 50 | 5 (LOXEAL 55-14) | 3.7 (LOXEAL 55-14) | |
| 86.2684.00.2 | 2 | 22 | 5 | 3.7 | |
| 86.3001.05.2 | 3 | 36 | 10 | 7.4 | |
| 86.3187.05.2 | 4 | 31 | 22 | 16.3 | |
| 86.3265.50.2 | 3 | 17 | 44 | 32.5 | |
| 86.3694.65.2 | 1 | 75 | 40 | 29.5 | |
| 86.3562.05.2 | 12 | 35 | 30 | 22 | |

Tolleranza di serraggio: 0/-10%
Tolerance on torque value:

| INFORMAZIONI UTILI USEFUL INFORMATION | | | | |
|--|-------|------|---------|---------|
| LUBRIFICANTE- LUBRICANT: | | | | |
| OLIO MOTORE O SEMIIDRAULICO SAE 30 MOTOR OIL OR SEMI-HYDRAULIC OIL SAE 30 | | | | |
| PRESSIONE ACCUMULATORE ACCUMULATOR PRESSURE | | | | |
| PRESSIONE DI LAVORO - OPERATING PRESSURE | 2 ÷ 5 | 5÷10 | 10 ÷ 20 | 20 ÷ 50 |
| ACCUMULATORE ACCUMULATOR | / | / | / | / |

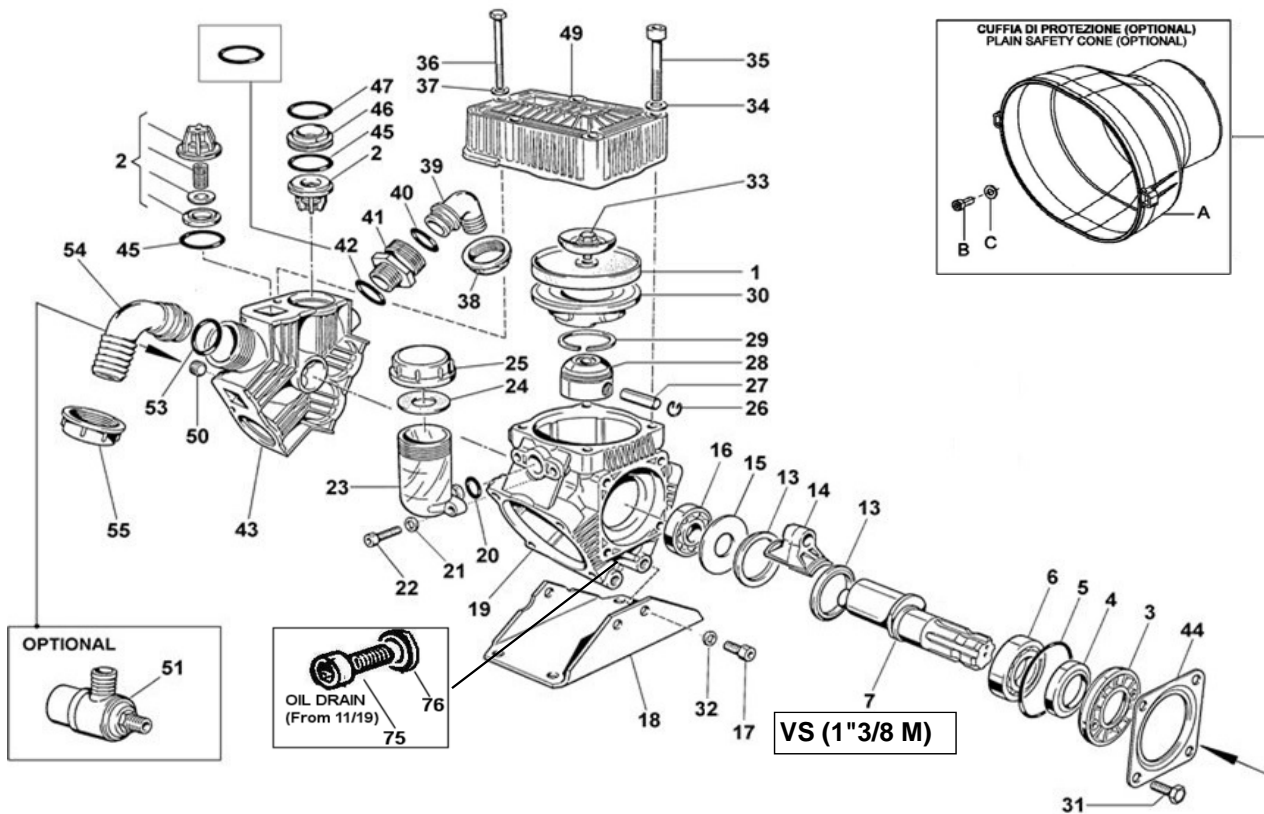
KIT MEMBRANE - DIAPHRAGMS KIT

| KIT | BUNA - N | | | 63.9873.97.3DS | PRE-SET DURAMAX | | | 63.9873.97.3 | PRE-SET DESMOPAN | | | 63.9826.97.3 | VITON | | | | 63.9825.97.3 | PENTAX | | |
|--|----------|----|----|----------------|-----------------|----|----|--------------|------------------|----|----|--------------|-------|----|----|----|--------------|--------|----|----|
| POSIZIONE ESPLOSO POSITION NUMBER | 1 | 45 | 47 | | 1 | 45 | 47 | | 1 | 45 | 47 | | 1 | 45 | 47 | 42 | | 1 | 45 | 47 |
| QUANTITA' NEL KIT QUANTITIES INCLUDED | 3 | 6 | 4 | 3 | 6 | 4 | 3 | 6 | 4 | 3 | 6 | 4 | 1 | 3 | 6 | 4 | | | | |

KIT POMPA/KIT VALVOLE - PUMP KIT/VALVES KIT

| KIT | 63.9880.97.3 | KIT POMPA PUMP KIT | | | | 63.9872.97.3 | KIT VAM INOX 303 VALVES KIT 303 | | 63.9906.97.3 | KIT VAM INOX 316 VALVES KIT 316 | |
|--|--------------|-----------------------|---|----|----|--------------|------------------------------------|----|--------------|------------------------------------|---|
| POSIZIONE ESPLOSO POSITION NUMBER | | 5 | 4 | 45 | 47 | | 2 | 45 | | 47 | 2 |
| QUANTITA' NEL KIT QUANTITIES INCLUDED | 1 | 1 | 6 | 4 | 6 | 6 | 4 | 6 | 6 | 4 | |

POLY 2073 VS - VP - VA - VI

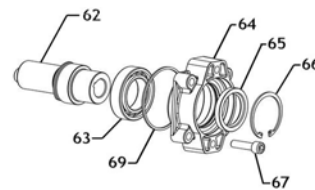
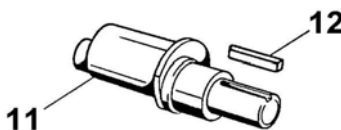
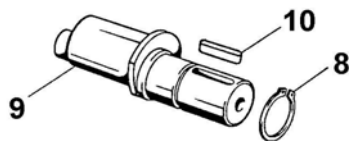


VERSIONI

VP (D.35 M)

VA (D.1" M)

VI (D.1" F)
VI (D.25mm F)



| POS. | CODICE PART NO. REF. | DENOMINAZIONE - DESCRIPTION - DESCRIPTION | Q.TY | POS. | CODICE PART NO. REF. | DENOMINAZIONE - DESCRIPTION - DESCRIPTION | Q.TY |
|------|----------------------|---|------|--|----------------------|---|------|
| 1 | 95.0040.31.2 | PISTON DIAPHRAGM | 3 | 33 | 63.9801.97.3 | KIT SCREW/DISK INOX | 3 |
| 1 | 95.0040.33.2 | VITON PISTON DIAPHRAGM | 3 | 34 | 84.3805.00.2 | WASHER DIA.10,5x21x2 | 12 |
| 1 | 95.0040.00.A | PRE-SET DESMOPAN PISTON DIAPHRAGM | 3 | 35 | 86.3562.05.2 | SCREW M10x70 UNI5931 | 12 |
| 1 | 95.0040.00.ADS | PRE-SET DURAMAX PISTON DIAPHRAGM | 3 | 36 | 86.3001.05.2 | SCREW M8x75 UNI5931 | 3 |
| 1 | 95.0040.36.2 | HPS PISTON DIAPHRAGM | 3 | 37 | 84.3697.00.2 | WASHER DIA.8,4x18x2 | 3 |
| 2 | 28.9905.97.3 | S.S. AISI 316 VALVE ASSY (STD) | 6 | 38 | 82.0067.50.2 | WING NUT G.1"1/4 | 1 |
| 2 | 28.9809.97.3 | S.S. AISI 303 VALVE ASSY (OPT) | 6 | 39 | 84.0542.40.2 | 90° ELBOW CONNECTOR DIA.25-1" | 1 |
| 2 | 63.9800.97.3 | POLYPROP. VALVE ASSY (OPT) | 6 | 40 | 80.3219.05.2 | O-RING 3,0x25 VITON | 1 |
| 3 | 53.0007.32.2 | HOUSING | 1 | 41 | 83.5089.50.2 | NIPPLES G.1"-G.1"1/4 | 1 |
| 4 | 80.2143.10.2 | OIL SEAL DIA.35x52x7 | 1 | 42 | 80.3218.50.2 | O-RING DIA.3x22 VITON | 1 |
| 5 | 80.3310.00.2 | O-RING 4.0X82 | 1 | 43 | 63.0110.32.2 | MANIFOLD | 1 |
| 6 | 81.2837.00.2 | BEARING DIA.35x62x14 | 1 | 44 | 17.0016.61.2 | FLANGE | 1 |
| 7 | 63.0009.26.2 | CRANKSHAFT "VS" VERSION | 1 | 45 | 80.3320.70.2 | O-RING 5,0x40 VITON | 6 |
| 8 | 80.1264.00.2 | RING DIA.35 | 1 | 46 | 28.0229.32.2 | VALVE ASSY SPACER | 1 |
| 9 | 63.0011.26.2 | CRANKSHAFT "VP" VERSION | 1 | 47 | 80.3219.90.2 | O-RING 3,0x39 VITON | 4 |
| 10 | 80.6578.00.2 | TAB 10x8x35 | 1 | 49 | 63.0022.32.2 | HEAD | 3 |
| 11 | 63.0016.26.2 | CRANKSHAFT "VA" VERSION | 1 | 50 | 85.2585.00.2 | CAP G.3/8 | 1 |
| 12 | 80.6475.00.2 | TAB 6,36x6,36x38 | 1 | 51 | 24.3016.97.3 | SAFETY VALVE 15bar (OPTIONAL) | 1 |
| 13 | 26.0047.76.2 | RING | 2 | 53 | 80.3219.15.2 | O-RING 3,0x30 VITON | 1 |
| 14 | 23.0005.09.2 | LIGHT ALLOY CONROD | 2 | 54 | 84.0570.00.2 | 90° ELBOW CONNECTOR DIA.35-1,37" | 1 |
| 14 | 23.0045.11.2 | BRONZE CONROD (OPT.) | 3 | 54 | 84.0561.00.2 | 90° ELBOW CONNECTOR DIA.30-1,18" (OPT.) | 1 |
| 15 | 95.0097.61.2 | CRANKSHAFT SPACER | 1 | 54 | 84.0566.00.2 | 90° ELBOW CONNECTOR DIA.32-1,25" (OPT.) | 1 |
| 16 | 81.2646.00.2 | BEARING DIA.20x52x15 | 1 | 54 | 84.0571.00.2 | 90° ELBOW CONNECTOR DIA.38-1,49" (OPT.) | 1 |
| 17 | 86.3265.50.2 | SCREW M10x25 UNI5931 | 3 | 54 | 84.0591.00.2 | 90° ELBOW CONNECTOR DIA.40-1,57" (OPT.) | 1 |
| 18 | 63.0006.61.2 | MOUNTING RAIL | 1 | 55 | 82.0070.00.2 | WING NUT G.1"1/2 | 1 |
| 19 | 63.0001.09.2 | CRANKCASE | 1 | 62 | 63.0127.26.2 | SHAFT "VI" D.1" | 1 |
| 20 | 80.3180.00.2 | O-RING 2,62x15,08 | 1 | 62 | 63.0127.26.2A | SHAFT "VI" D.25 mm | 1 |
| 21 | 84.3685.40.2 | WASHER DIA.8,2x15x1,5 | 2 | 63 | 81.2933.00.2 | BEARING 45X75X16 | 1 |
| 22 | 86.2684.00.2 | SCREW M8x25 UNI5931 | 2 | 64 | 63.0126.09.2 | BEARING COVER | 1 |
| 23 | 23.0008.32.2 | OIL FILLER | 1 | 65 | 80.2191.10.2 | OIL SEAL | 1 |
| 24 | 82.4120.00.2 | GASKET DIA.45x19x1,5 (before 08/2020) | 1 | 66 | 80.1400.00.2 | RING | 1 |
| 24 | 23.0097.31.2 | OIL FILLER MEMBRANE (from 09/2020) | 1 | 67 | 86.3348.00.2 | SCREW TCEI M10X35 | 4 |
| 25 | 85.2750.00.2 | OIL FILLER CAP (before 08/2020) | 1 | 69 | 80.3287.00.2 | O-RING DIA.3,53x82,14 | 1 |
| 25 | 85.2750.00.2A | OIL FILLER CAP (from 09/2020) | 1 | 75 | 86.3694.65.2 | SCREW M12x20 UNI5931 | 1 |
| 26 | 80.0021.00.2 | RING DIA.15 | 6 | 76 | 82.4066.00.2 | GASKET DIA.13,2x17x1 COPPER | 1 |
| 27 | 85.2006.70.2 | PISTON PIN DIA.15 | 3 | SAFETY CONE FRONT SIDE (OPTIONAL) | | | |
| 28 | 63.0014.09.2 | PISTON | 3 | A | 31.1468.32.2 | PLAIN SAFETY CONE L=135 | 1 |
| 29 | 81.8504.50.2 | PISTON RING | 3 | B | / | USE STANDARD SCREW OF PUMP | 4 |
| 30 | 63.0015.01.2 | PISTON SLEEVE | 3 | C | / | USARE ROSETTE SPECIALI DELLA CUFFIA | 4 |
| 31 | 86.3187.05.2 | VITE TCEI M10x18 UNI5931 | 4 | | | | |
| 32 | 84.3760.00.2 | SCHNORR WASHER 10,5x16x1 | 3 | | | | |