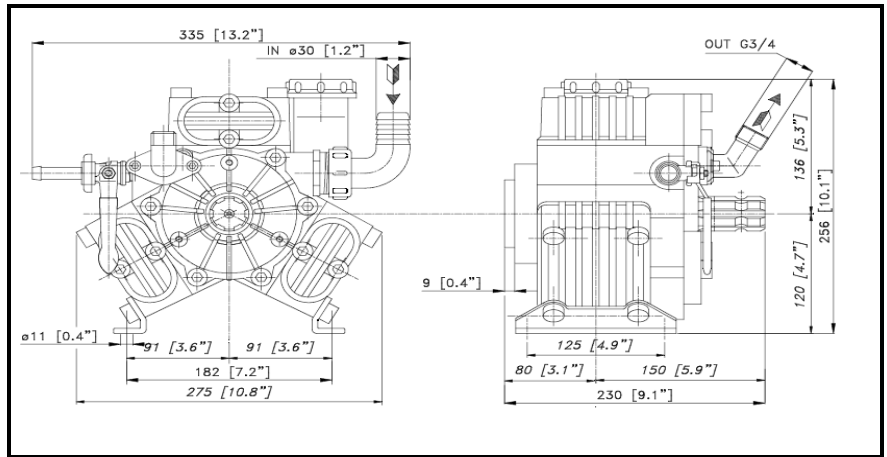
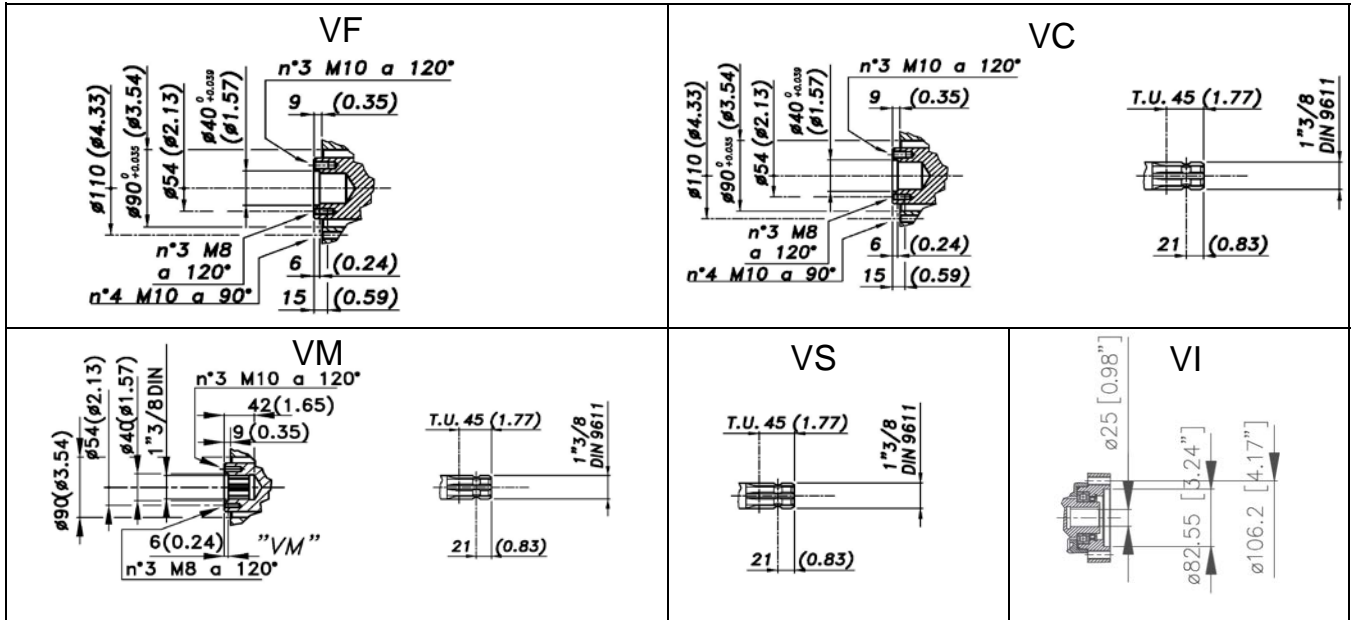


DIMENSIONI D'INGOMBRO - OVERALL DIMENSIONS



ALBERO POMPA - PUMP SHAFT



COPPIA DI SERRAGGIO - TORQUE CHART

| CODICE - CODE | Q.TY | POS | N-m | Lbr.ft |
|---------------|------|-----|-----|--------|
| 23.0015.51.2 | 3 | 4 | 12 | 9 |
| 86.2168.00.2 | 2 | 40 | 10 | 7 |
| 86.2216.00.2 | 6 | 39 | 10 | 7 |
| 86.2730.00.2 | 2 | 28 | 10 | 7 |
| 86.3185.00.2 | 4 | 18 | 22 | 16 |
| 86.3300.00.2 | 6 | 48 | 44 | 33 |
| 86.3560.00.2 | 8 | 46 | 44 | 33 |
| 86.3562.00.2 | 4 | 32 | 44 | 33 |
| 23.0043.98.3 | 3 | 4 | 12 | 9 |

Tolleranza di serraggio: 0/-10%
Tolerance on torque value: 0/-10%

INFORMAZIONI UTILI
USEFUL INFORMATION

| | | | | |
|---|-------|--------|---------|---------|
| LUBRIFICANTE - LUBRICANT: | | | | |
| OLIO MOTORE O SEMIDRAULICO SAE 30 MOTOR OIL OR SEMI-HYDRAULIC OIL SAE 30 | | | | |
| PRESSIONE ACCUMULATORE ACCUMULATOR PRESSURE | | | | |
| PRESSIONE DI LAVORO - OPERATING PRESSURE | 2 ÷ 5 | 5 ÷ 10 | 10 ÷ 20 | 20 ÷ 50 |
| ACCUMULATORE ACCUMULATOR | / | / | / | / |

KIT MEMBRANE - DIAPHRAGMS KIT

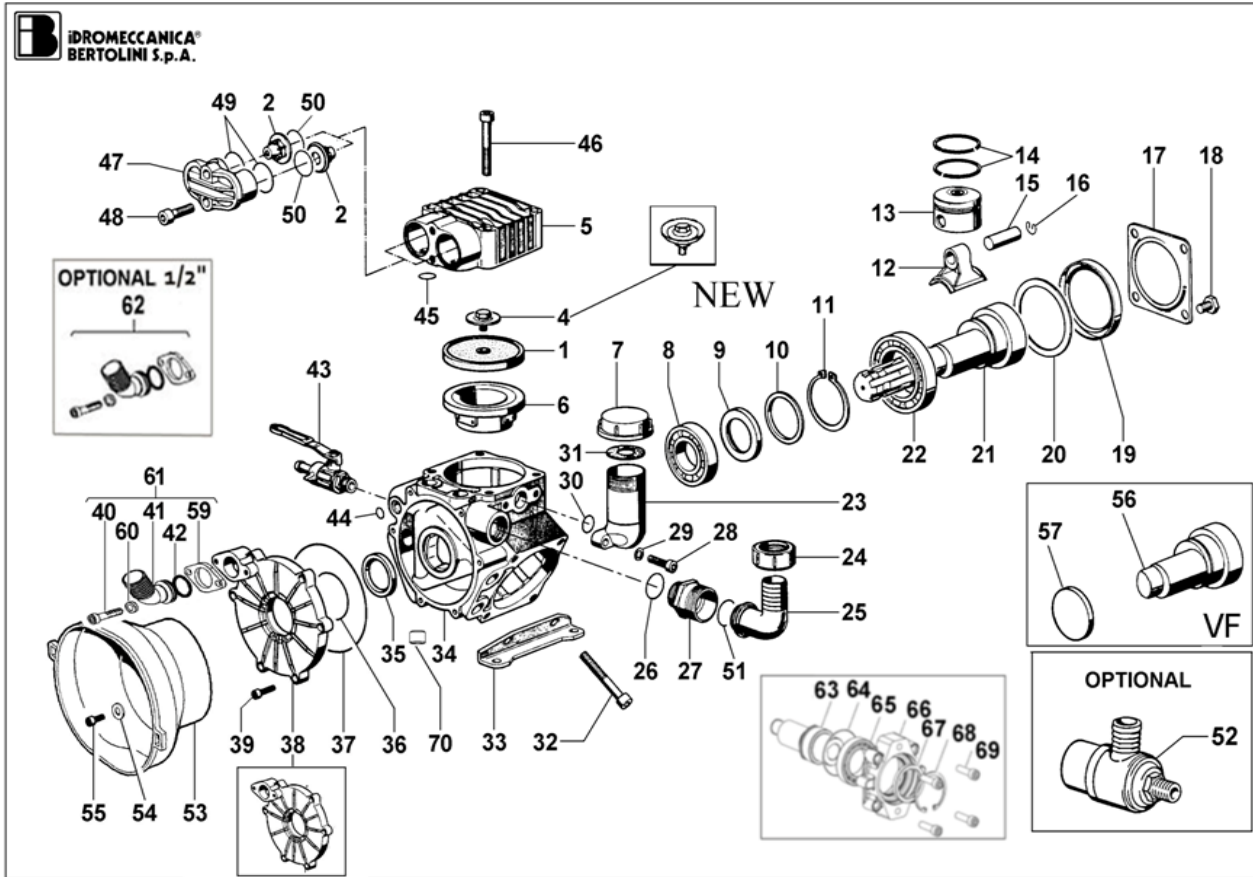
| KIT | 23.9828.97.3 | BUNA - N | | 23.9873.97.3 | PRE-SET DESMOPAN | | 23.9873.97.3DS | PRE-SET DURAMAX | | 23.9826.97.3 | VITON | | | | | | 23.9875.97.3 | PENTAX | | |
|--|--------------|----------|----|--------------|------------------|----|----------------|-----------------|----|--------------|-------|----|----|----|----|----|--------------|--------|---|----|
| POSIZIONE ESPLOSO POSITION NUMBER | | 1 | 45 | | 1 | 45 | | 1 | 45 | | 1 | 44 | 45 | 49 | 50 | 36 | 37 | | 1 | 45 |
| QUANTITA' NEL KIT QUANTITIES INCLUDED | | 3 | 6 | | 3 | 6 | | 3 | 6 | | 3 | 1 | 6 | 6 | 6 | 1 | 1 | | 3 | 6 |

KIT POMPA/KIT VALVOLE - PUMP KIT/VALVES KIT

| KIT | 23.9880.97.3 | KIT POMPA VM PUMP KIT VM | | | | | | | 23.9829.97.3 | KIT VALVOLE VALVE KIT | | | |
|--|--------------|-----------------------------|----|----|----|----|----|----|--------------|--------------------------|---|----|----|
| POSIZIONE ESPLOSO POSITION NUMBER | | 35 | 19 | 44 | 45 | 49 | 50 | 36 | 37 | | 2 | 50 | 49 |
| QUANTITA' NEL KIT QUANTITIES INCLUDED | | 1 | 1 | 1 | 6 | 6 | 6 | 1 | 1 | | 6 | 6 | 6 |

PA 530 - PA 530/1000

B IDROMECCANICA®
BERTOLINI S.p.A.



| POS. | CODICE PART NO. REF. | DENOMINAZIONE - DESCRIPTION - DESCRIPTION | Q.TY | POS. | CODICE PART NO. REF. | DENOMINAZIONE - DESCRIPTION - DESCRIPTION | Q.TY |
|------|----------------------|---|------|------|----------------------|--|------|
| 1 | 23.0011.31.2 | PISTON DIAPHRAGM | 3 | 34 | 80.2134.50.2 | CRANKCASE till the 04/2016 | 1 |
| 1 | 23.0011.33.2 | VITON PISTON DIAPHRAGM | 3 | 34 | 23.0201.09.2 | CRANKCASE from the 05/2016 | 1 |
| 1 | 23.0012.00.2 | HPS PISTON DIAPHRAGM | 3 | 35 | 80.2134.50.2 | OIL SEAL DIA.35x47x7 | 1 |
| 1 | 23.0012.00.2DS | PRE-SET DESMOPAN PISTON DIAPHRAGM | 3 | 36 | 80.3209.80.2 | O-RING 2,62x50,47 | 1 |
| 1 | 23.0011.36.2 | PRE-SET DURAMAX PISTON DIAPHRAGM | 3 | 36 | 80.3209.85.2 | O-RING 2,62x50,47 (KIT VITON) | 1 |
| 2 | 23.9805.97.3 | VALVE ASSY | 6 | 37 | 80.3210.68.2 | O-RING 2,62x120,32 | 1 |
| 4 | 23.0043.98.3 | KIT DIAPHRAGM WASHER/SCREW AISI 316 | 3 | 37 | 80.3210.69.2 | O-RING 2,62x120,32 (KIT VITON) | 1 |
| 4 | 23.0015.51.3 | VITE MEMBRANA fino al 12/98 | 3 | 38 | 23.0046.09.2 | CRANKCASE COVER till the 04/2016 | 1 |
| 4 | 23.0009.32.2 | PIATTELLO fino al 12/98 | 3 | 38 | 23.0006.09.2 | CRANKCASE COVER till the 06/1999 | 1 |
| 5 | 23.0002.09.2 | HEAD | 3 | 38 | 23.0212.09.2 | CRANKCASE COVER from the 05/2016 | 1 |
| 6 | 23.0020.01.2 | PISTON SLEEVE D.55 (PA 530) | 3 | 39 | 86.2216.00.2 | SCREW M6x25 UNI5931 | 6 |
| 6 | 23.0066.01.2 | PISTON SLEEVE D.55 (PA 530/1000) | 3 | 40 | 86.2108.00.2 | SCREW M6x16 UNI5931 | 2 |
| 7 | 85.2750.00.2 | OIL FILLER CAP (before 08/2020) | 1 | 41 | 31.1516.09.2 | DIRECTIONAL FITTING G.3/4 | 1 |
| 7 | 85.2750.00.2A | OIL FILLER CAP (from 09/2020) | 1 | 42 | 80.3218.00.2 | O-RING 3,0x22 | 1 |
| 8 | 81.2846.00.2 | BEARING DIA.35x72x17 | 1 | 43 | 84.5544.10.2 | LEFT TAP G.3/8-G.1/2 | 1 |
| 9 | 23.0019.76.2 | RING | 1 | 44 | 80.3176.00.2 | O-RING 2,62x11,91 till the 04/2016 | 1 |
| 10 | 26.0047.76.2 | RING | 1 | 44 | 80.3176.50.2 | O-RING 2,62x11,91 (KIT VITON) till the 04/2016 | 1 |
| 11 | 80.1377.00.2 | RING DIA.55 "VF"- "VC"- "VM" | 1 | 44 | 80.3189.00.2 | O-RING 2,62x18,72 from the 05/2016 | 1 |
| 12 | 23.0005.09.2 | LIGHT ALLOY CONROD | 3 | 44 | 80.3189.50.2 | O-RING 2,62x18,72 (KIT VITON) from the 05/2016 | 1 |
| 12 | 23.0045.11.2 | BRONZE CONROD | 3 | 45 | 80.3189.00.2 | O-RING 2,62x18,72 | 6 |
| 13 | 23.0007.09.2 | PISTON D.55 | 3 | 45 | 80.3189.50.2 | O-RING 2,62x18,72 (KIT VITON) | 6 |
| 14 | 81.8504.50.2 | PISTON RING | 6 | 46 | 86.3560.00.2 | SCREW M10X65 UNI 5931 | 8 |
| 15 | 85.2006.70.2 | PISTON PIN DIA.15 | 3 | 47 | 23.0003.09.2 | VALVE COVER | 3 |
| 16 | 80.0021.00.2 | RING DIA.15 | 6 | 48 | 86.3300.00.2 | SCREW M10x30 UNI5931 | 6 |
| 17 | 17.0013.61.2 | COVER | 1 | 49 | 80.3219.20.2 | O-RING 3,0x35 | 6 |
| 18 | 86.3187.10.2 | SCREW M10x16 UNI5931 | 4 | 49 | 80.3219.50.2 | O-RING 3,0x35 (KIT VITON) | 6 |
| 19 | 80.2264.10.2 | OIL SEAL DIA.68x90x10 "VF"- "VC"- "VM" | 1 | 50 | 80.3207.00.2 | O-RING 2,62x29,82 | 6 |
| 19 | 80.2156.00.2 | CAP "VS" | 1 | 50 | 80.3207.50.2 | O-RING 2,62x29,82 (KIT VITON) | 6 |
| 20 | 17.0024.76.2 | SPACER | 1 | 51 | 80.3219.00.2 | O-RING 3,0x25 | 1 |
| 21 | 23.0023.26.2 | CRANKSHAFT"VC"(PA 530) | 1 | 52 | 24.3040.97.3 | SAFETY VALVE 40bar (OPTIONAL) | 1 |
| 21 | 23.0065.26.2 | CRANKSHAFT"VC"(PA 530/1000) | 1 | 53 | 31.1467.32.2 | SAFETY CONE (OPTIONAL) | 1 |
| 21 | 23.0024.26.2 | CRANKSHAFT "VM" (1"3/8 M-F) | 1 | 54 | 84.3618.00.2 | WASHER DIA.6,4x18x1,5 (OPTIONAL) | 3 |
| 21 | 23.0036.26.2 | CRANKSHAFT "VS" (1"3/8 M) | 1 | 55 | 86.2086.00.2 | SCREW M6x14 UNI5931 (OPTIONAL) | 3 |
| 22 | 81.2972.00.2 | BEARING DIA.55x90x18 | 1 | 56 | 23.0028.26.2 | CRANKSHAFT"VF"(SEE OVERALL DIMENSIONS) | 1 |
| 23 | 23.0008.32.2 | OIL FILLER | 1 | 57 | 80.2099.50.2 | COVER "VF" | 1 |
| 24 | 82.0067.50.2 | WING NUT G.1"1/4 | 1 | 59 | 31.1517.61.2 | FLANGE LOCK FITTING | 1 |
| 25 | 84.0560.00.2 | 90° ELBOW CONNECTOR DIA.30-1,18" | 1 | 60 | 84.3585.00.2 | WASHER D.6 | 2 |
| 25 | 84.0565.00.2 | 90° ELBOW CONNECTOR DIA.32-1,25" (OPT.) | 1 | 61 | 31.8917.97.3 | FITTING KIT G.3/4" | 1 |
| 26 | 80.3207.00.2 | O-RING 2,62x29,82 | 1 | 62 | 31.8916.97.3 | FITTING KIT G.1/2" (OPTIONAL) | 1 |
| 27 | 83.5089.00.2 | NIPPLES G.1"-G.1"1/4 | 1 | 63 | 22.0328.26.2 | ALBERO "VI" | 1 |
| 28 | 86.2730.00.2 | SCREW M8x30 UNI5931 | 2 | 64 | 80.3210.67.2 | O-RING 2,62x88,57 | 1 |
| 29 | 84.3685.00.2 | WASHER DIA.8,4x15x1,5 | 2 | 65 | 81.2914.00.2 | BEARING 40X90X23 | 1 |
| 30 | 80.3180.00.2 | O-RING 2,62x15,08 | 1 | 66 | 22.0333.09.2 | FLANGE | 1 |
| 31 | 82.4120.00.2 | GASKET DIA.45x19x1,5 (before 08/2020) | 1 | 67 | 80.2188.10.2 | OIL SEAL 40X62X7 | 1 |
| 31 | 23.0097.31.2 | OIL FILLER DIAPHRAGM (from 09/2020) | 1 | 68 | 80.1400.00.2 | RING D.62 | 1 |
| 32 | 86.3562.00.2 | SCREW M10X70 UNI 5931 | 4 | 69 | 86.3347.00.2 | SCREW M10X35 UNI5931 | 4 |
| 33 | 23.0018.61.2 | MOUNTING BRACKETS | 2 | 70 | 85.2541.00.2 | PLUG DIN 906 1/4GAS | 1 |