

highest state PRECISION ALL OF THE ART highest customized QUALITY PRECISION

CARATTERISTICHE - SPECIFICATIONS

IN	DIAMETER	\varnothing	3/4 BSP
	PRESS.	Min.	-0.1 bar - 1.5 PSI
		Max.	6 bar 87 PSI
TEMP.	Max.	74° C. 165° F.	
OUT	DIAMETER	\varnothing	3/8 BSP
SHAFT		\varnothing	24 mm
OIL		SAE 75W90	1.3 litri 0.34 U.S.G.
PESO WEIGHT		Kg lbs	15.7 / 34.5



INTELLIseal™



Dx R B T

OPTIONAL

F Sx G M

INTELLIseal HW™

KIT PIEDINI cod. 05.9890.97.3 (optional)
MOUNTING RAILS KIT cod. 05.9890.97.3 (optional)
KIT SUPPORTS cod. 05.9890.97.3 (option)
JUEGO DE PIES cod. 05.9890.97.3 (opción)

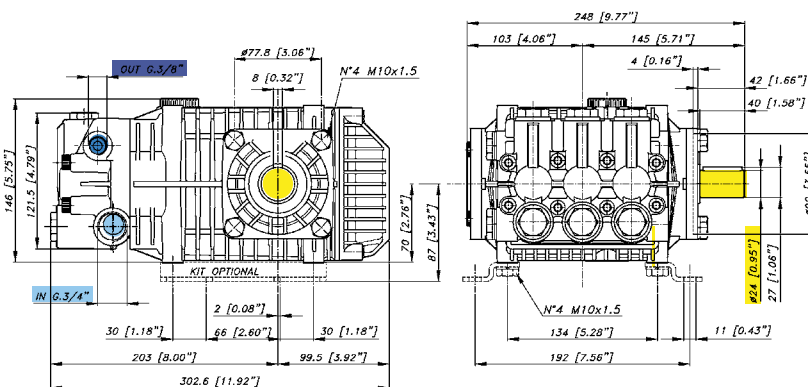


FLANGIA CON GIUNTO ELASTICO PER MOTORI IDRAULICI

BRIDE AVEC ACCOUPLEMENT ELASTIQUE POUR MOTEURS HYDRAULIQUES

BELL HOUSING + FLEXIBLE COUPLING FOR HYDRAULIC MOTORS

BRIDA CON JUNTA ELÁSTICA PARA MOTORES HIDRÁULICOS



CARATTERISTICHE - FEATURES

PERFORMANCE CHART

MODELLO MODEL CODICE PART NR.	MAX		PRESS		RPM 950				RPM 1450				RPM 1725				PIST. CORSA PLUNG. STROKE	
	L/min	GPM	Bar	PSI	L/min	GPM	KW	HP	L/min	GPM	KW	HP	L/min	GPM	KW	HP	Dia. mm	mm
TTK 2130 06.2066.97.3	24.8	6.5	200	2900	13.9	3.7	5.5	7.3	21.0	5.6	8.3	11.1	24.8	6.5	9.7	13.0	20	16.4
			250	3625	13.8	3.7	6.8	9.1	20.9	5.5	10.3	13.8	24.6	6.5	12.1	16.2		
			300	4350	13.8	3.6	8.1	10.9	20.8	5.5	12.3	16.4	24.5	6.5	14.4	19.4		
TTK 2521 06.2067.97.3	30.0	7.9	170	2465	16.8	4.4	5.6	7.5	25.4	6.7	8.5	11.4	30.0	7.9	10.0	13.4	22	16.4
			190	2755	16.7	4.4	6.2	8.4	25.3	6.7	9.4	12.7	29.8	7.9	11.1	14.9		
			210	3045	16.7	4.4	6.9	9.2	25.2	6.7	10.4	13.9	29.7	7.8	12.2	16.4		
TTK 3021 06.2068.97.3	29.5	7.8	170	2465	19.5	5.2	6.5	8.7	29.5	7.8	9.8	13.2	N.D. N.A.	22	19			
			190	2755	19.4	5.1	7.2	9.7	29.3	7.7	10.9	14.7						
			210	3045	19.3	5.1	8.0	10.7	29.2	7.7	12.0	16.1						