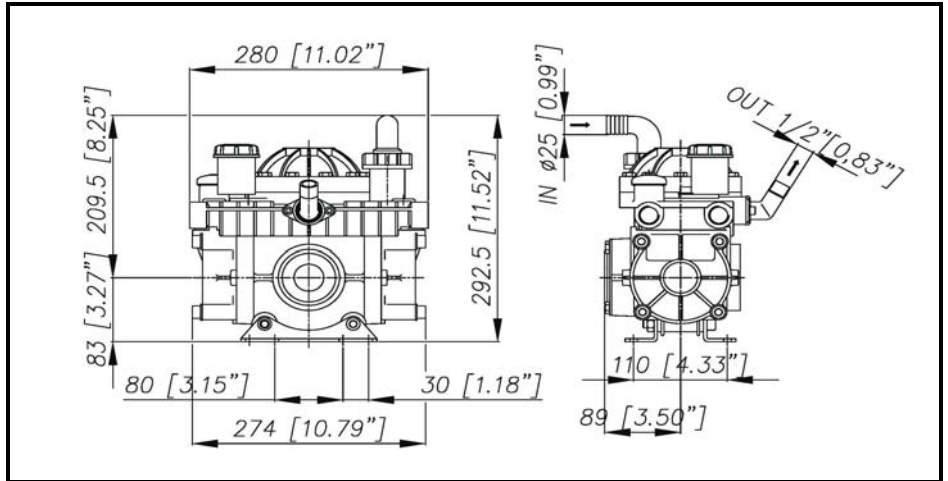
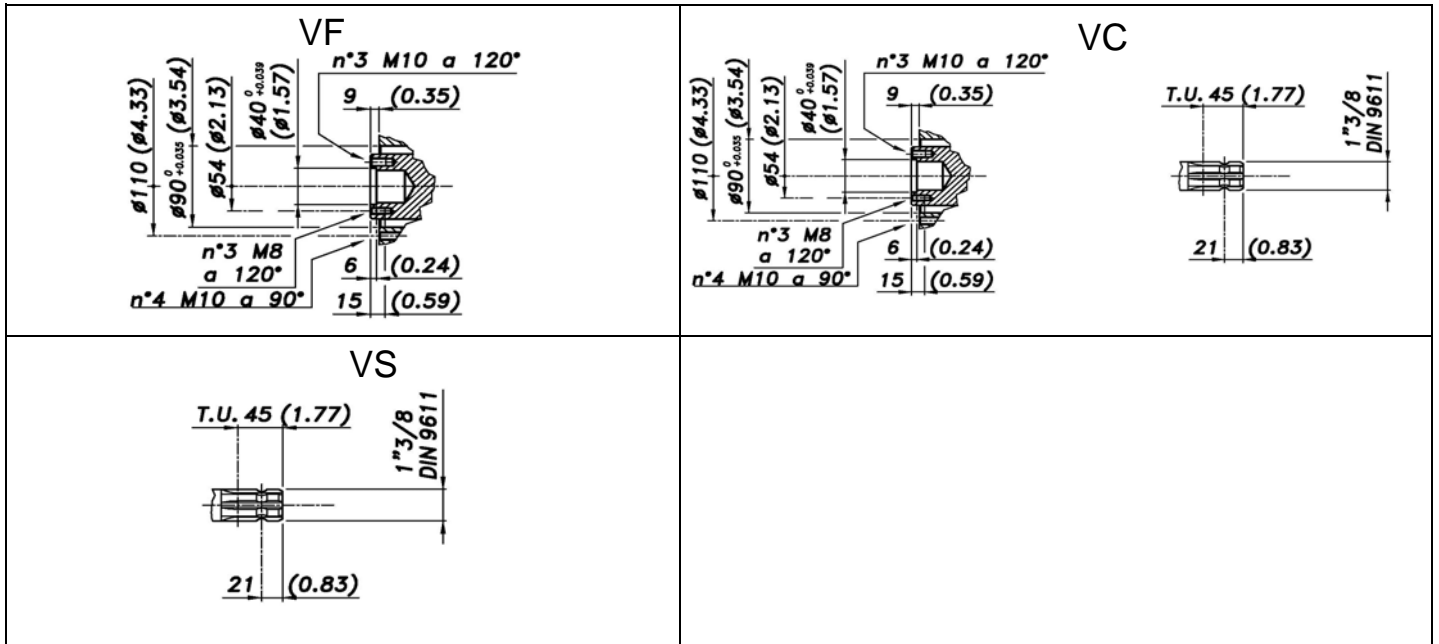


DIMENSIONI D'INGOMBRO - OVERALL DIMENSIONS



ALBERO POMPA - PUMP SHAFT



COPPIA DI SERRAGGIO - TORQUE CHART

CODICE - CODE	Q.TY	POS	N.m	Lbr.ft
86.2741.00.2	10	39	22	16,2
86.3562.50.2	8	30	50	36,8
86.3206.00.2	4	58	30	22,1
86.2601.00.2	2	53	12	8,8
81.4694.00.2	2	33	40	29,5
86.2190.00.2	2	65	10	7,4
86.3575.00.2	2	23	30	22,1
86.2730.00.2	1	18	10	7,4

Tolleranza di serraggio: 0/-10%
 Tolerance on torque value: 0/-10%

INFORMAZIONI UTILI
 USEFUL INFORMATION

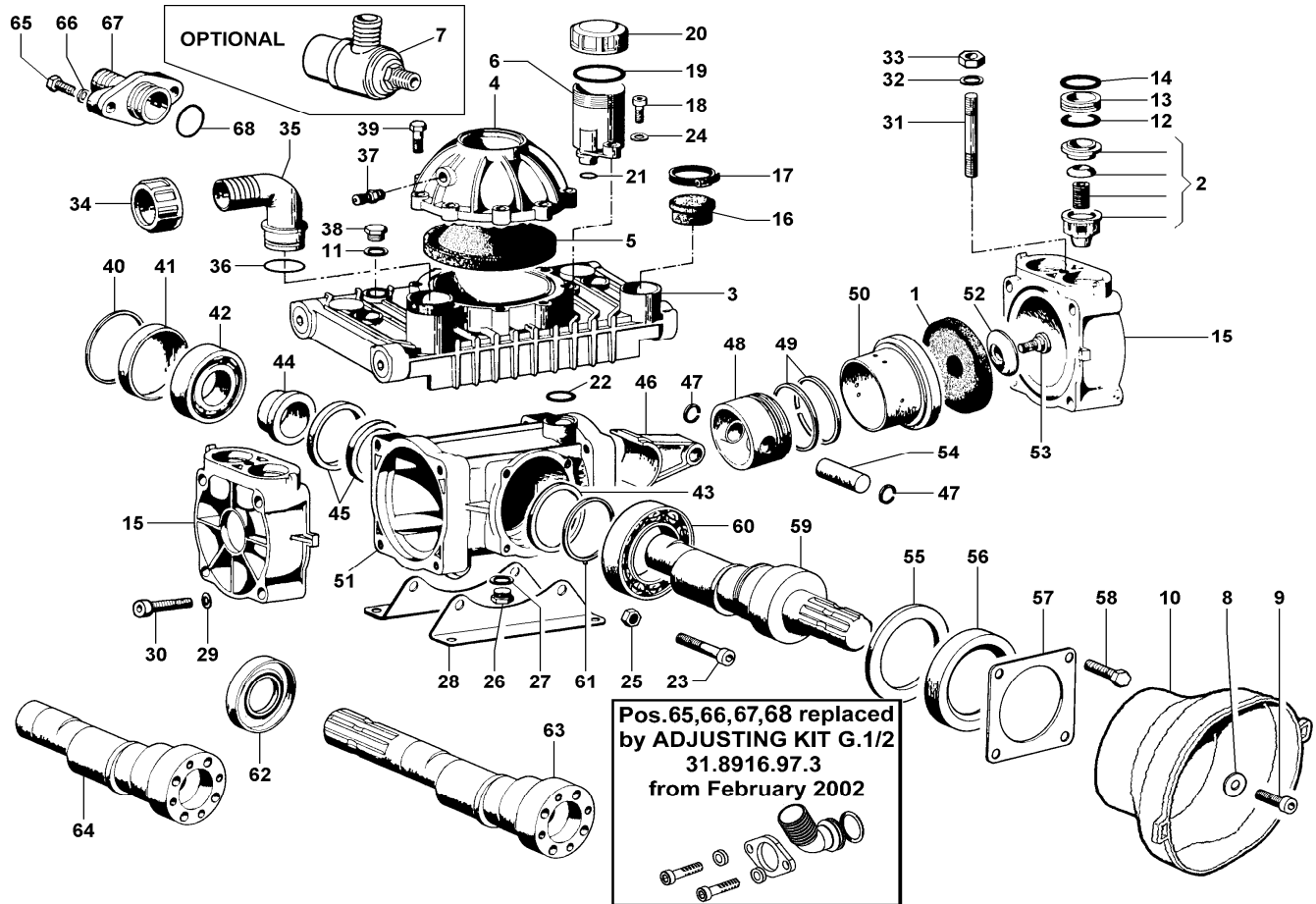
LUBRIFICANTE- LUBRICANT: OLIO MOTORE O SEMIIDRAULICO SAE 30 MOTOR OIL OR SEMI-HYDRAULIC OIL SAE 30				
PRESSIONE ACCUMULATORE ACCUMULATOR PRESSURE				
PRESSIONE DI LAVORO - OPERATING PRESSURE	2 ÷ 5	5 ÷ 10	10 ÷ 20	20 ÷ 50
ACCUMULATORE ACCUMULATOR	2	2 ÷ 5	5 ÷ 7	6 ÷ 8

KIT MEMBRANE - DIAPHRAGMS KIT

KIT	BUNA - N					KIT	DESMOPAN					KIT	VITON					KIT	PENTAX				
	1	5	12	14	16		1	5	12	14	16		1	5	12	14	16		1	5	12	14	16
POSIZIONE ESPLOSO POSITION NUMBER	17.9871.97.3					17.9873.97.3					17.9856.97.3					17.9874.97.3							
QUANTITA' NEL KIT QUANTITIES INCLUDED	2	1	4	2	1	2	1	4	2	1	2	1	4	2	1	2	1	4	2	1			

KIT POMPA/KIT VALVOLE - PUMP KIT/VALVES KIT

KIT	KIT POMPA VD PUMP KIT VD					KIT	KIT VALVOLE VALVE KIT							
	12	14	22	41	56		2	12	14					
POSIZIONE ESPLOSO POSITION NUMBER	17.9881.97.3					17.9870.97.3								
QUANTITA' NEL KIT QUANTITIES INCLUDED	4	2	1	1	1	4	4	2						



Pos. 65, 66, 67, 68 replaced
by ADJUSTING KIT G.1/2
31.8916.97.3
from February 2002

POS.	CODICE PART NO. REF.	DENOMINAZIONE - DESCRIPTION - DESCRIPTION	Q.TY	POS.	CODICE PART NO. REF.	DENOMINAZIONE - DESCRIPTION - DESCRIPTION	Q.TY
1	95.0040.31.2	PISTON DIAPHRAGM	2	35	84.0560.00.2	90° ELBOW CONNECTOR DIA.25 (OPTIONAL)	1
1	95.0040.33.2	VITON PISTON DIAPHRAGM	2	35	84.0565.00.2	90° ELBOW CONNECTOR DIA.32 (OPTIONAL)	1
1	95.0040.00.2	DESMOPAN PISTON DIAPHRAGM	2	36	80.3219.00.2	O-RING 3,0x25	1
1	95.0040.36.2	HPS PISTON DIAPHRAGM	2	37	86.1605.00.2	AIR VALVE	1
2	93.9806.97.3	VALVES ASSEMBLY	4	38	85.2579.00.2	CAP G.3/8	1
3	17.9820.97.3	MANIFOLD ASSEMBLY	1	39	86.2741.00.2	SCREW M8x35 UNI5737	10
4	93.0152.09.2	COVER BALLASTER TOP	1	40	80.1422.00.2	SEEGER RING	1
5	93.0041.31.2	BALLASTER DIAPHRAGM	1	41	80.2155.00.2	CAP DIA.72x10 ("VF"-VS")	1
5	93.0041.33.2	VITON DIAPHRAGM BALLASTER	1	42	81.2846.00.2	BALL BEARING DIA.35x72x17	1
5	93.0041.36.2	HPS DIAPHRAGM BALLASTER	1	43	17.0027.76.2	SPACER	1
6	17.0110.32.2	OIL FILLER	1	44	93.0037.09.2	SPACER	1
7	24.3040.97.3	SAFETY VALVE 40bar (OPTIONAL)	1	45	93.0047.76.2	CONNECTING ROD RING	2
8	84.3810.00.2	WASHER DIA.10,5x21x2 (OPTIONAL)	4	46	17.0004.09.2	CONROD	2
9	86.3212.00.2	SCREW M10x20 UNI5931 (OPTIONAL)	4	46	80.0211.00.2	RING DIA.15	4
10	31.1482.32.2	PLAIN SAFETY CONE (OPTIONAL)	1	48	17.0109.08.2	PISTON	2
11	82.4107.00.2	GASKET DIA.16,5x23x1	1	49	81.8514.00.2	PISTON RING DIA.62x2,5	4
12	80.3380.00.2	O-RING 6.0x24	4	50	93.0123.01.2	PISTON SLEEVE D.62 (PA508)	2
13	17.0021.53.2	VALVE ASSY SPACER	2	50	93.0124.01.2	PISTON SLEEVE D.62 (PA608)	2
14	80.3219.10.2	O-RING 3,0x30	2	51	17.0103.09.2	CRANKCASE	1
15	95.0142.09.2	HEAD	2	52	95.0036.32.2	DISK	2
16	93.0021.31.2	CUSHIONING DIAPHRAGM	1	53	86.2601.00.2	DIAPHRAGM LOCKING BOLT	2
16	93.0021.33.2	VITON CUSHIONING DIAPHRAGM	1	54	85.2007.00.2	PISTON PIN DIA.15x54	2
17	81.7522.90.2	CLIP	1	55	17.0024.76.2	SPACER	1
18	86.2730.00.2	SCREW M8x30 UNI5931	1	56	80.2264.10.2	OIL SEAL DIA.68x90x10	1
19	80.3208.20.2	O-RING 2,62x34,6	1	57	17.0013.61.2	COVER	1
20	85.2744.00.2	OIL FILLER CAP	1	58	86.3206.00.2	SCREW M10x20 UNI5739	4
21	80.3217.00.2	O-RING 3,0x14	1	59	93.0132.26.2	CRANKSHAFT PA508 "VS"	1
22	80.3303.00.2	O-RING	1	59	93.0126.26.2	CRANKSHAFT PA608 "VS"	1
23	86.3575.00.2	SCREW M10x75 UNI5931	2	60	81.2972.00.2	BALL BEARING DIA.55x90x18	1
24	84.3685.00.2	WASHER DIA.8,4x15x1,5	1	61	80.1377.00.2	RING DIA.55	1
25	81.4648.00.2	NUT M10	2	62	80.2161.50.2	OIL SEAL DIA.35x72x10 ("VC")	1
26	85.2543.50.2	CAP G.1/4	1	63	93.0134.26.2	CRANKSHAFT PA508 "VC"	1
27	82.4081.00.2	GASKET DIA.13,2	1	63	93.0127.26.2	CRANKSHAFT PA608 "VC"	1
28	93.0024.61.2	MOUNTING RAIL	2	64	17.0131.26.2	CRANKSHAFT PA508 "VF"	1
29	84.3801.00.2	WASHER DIA.10,5x18x2	8	65	86.2190.00.2	SCREW M6x22 UNI5739	2
30	86.3562.50.2	SCREW M10x70 UNI5931	8	66	84.3585.00.2	WASHER DIA.6,4x12,5x1,6	2
31	83.8662.00.2	STUD M12x55 UNI5911	2	67	31.0268.28.2	OUTLET FLANGE G.1/2	1
32	84.3844.00.2	WASHER DIA.12,2x21x2,5	2	67	31.1198.28.2	OUTLET FLANGE 1/2"NPT (OPTIONAL)	1
33	81.4694.00.2	NUT M12 UNI5588	2	67	31.8916.97.3	ADJUSTING KIT G.1/2	1
34	82.0067.50.2	WING NUT G.1"1/4	1	67	31.8918.97.3	ADJUSTING KIT 1/2"NPT (OPT)	1
35	84.0542.40.2	90° ELBOW CONNECTOR DIA.30	1	68	80.3218.00.2	O-RING 3,0x22	1