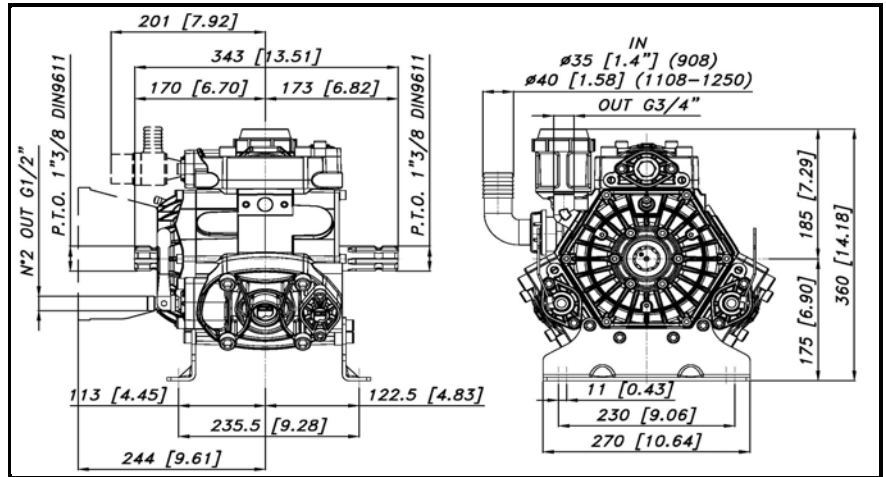
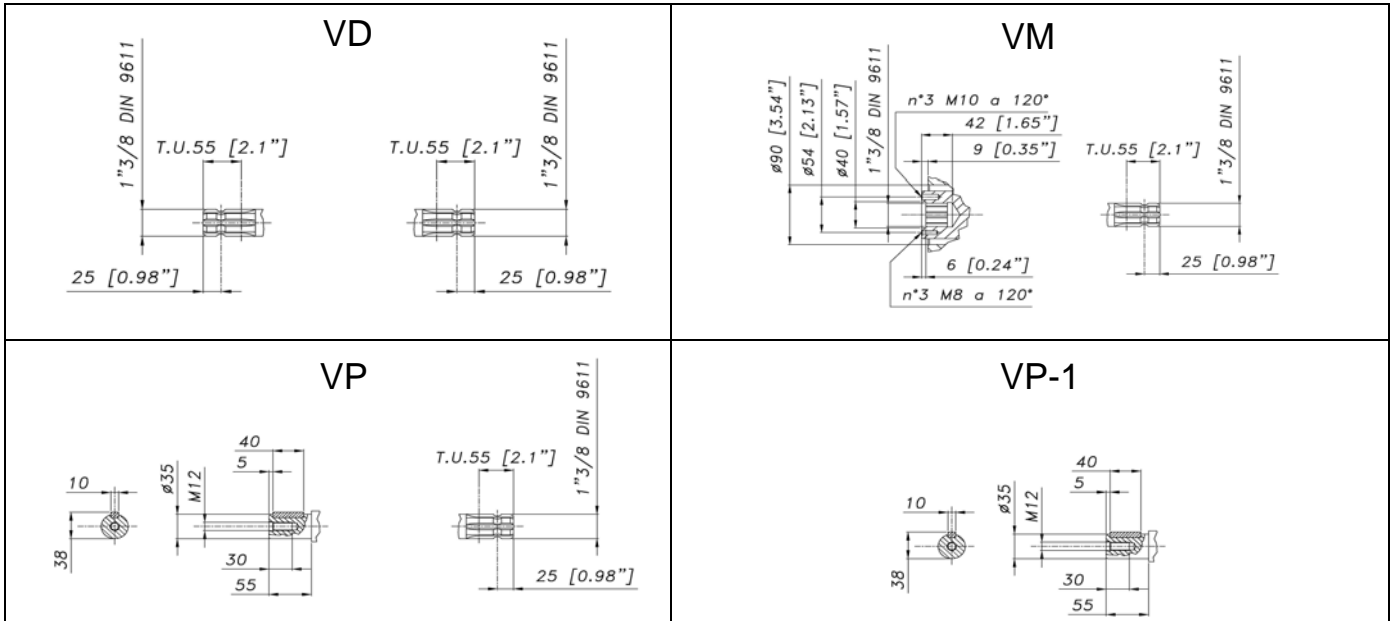




DIMENSIONI D'INGOMBRO - OVERALL DIMENSIONS



ALBERO POMPA - PUMP SHAFT



COPPIA DI SERRAGGIO - TORQUE CHART

CODICE - CODE	Q.TY	POS	N-m	Lbr.ft
86.3265.00.2	6	13	44	32,5
86.2682.00.2	6	31	22	16,2
86.2852.00.2	2	56	22	16,2
41.9835.97.3	3	40	25	18,5
86.2752.00.2	18	6	22	16,2
86.3347.00.2	2	20	44	32,5
86.3300.00.2	12	41	44	32,5
86.4250.00.2	12	47	98	72,2

Tolleranza di serraggio: 0/-10%
Tolerance on torque value:

INFORMAZIONI UTILI
USEFUL INFORMATION

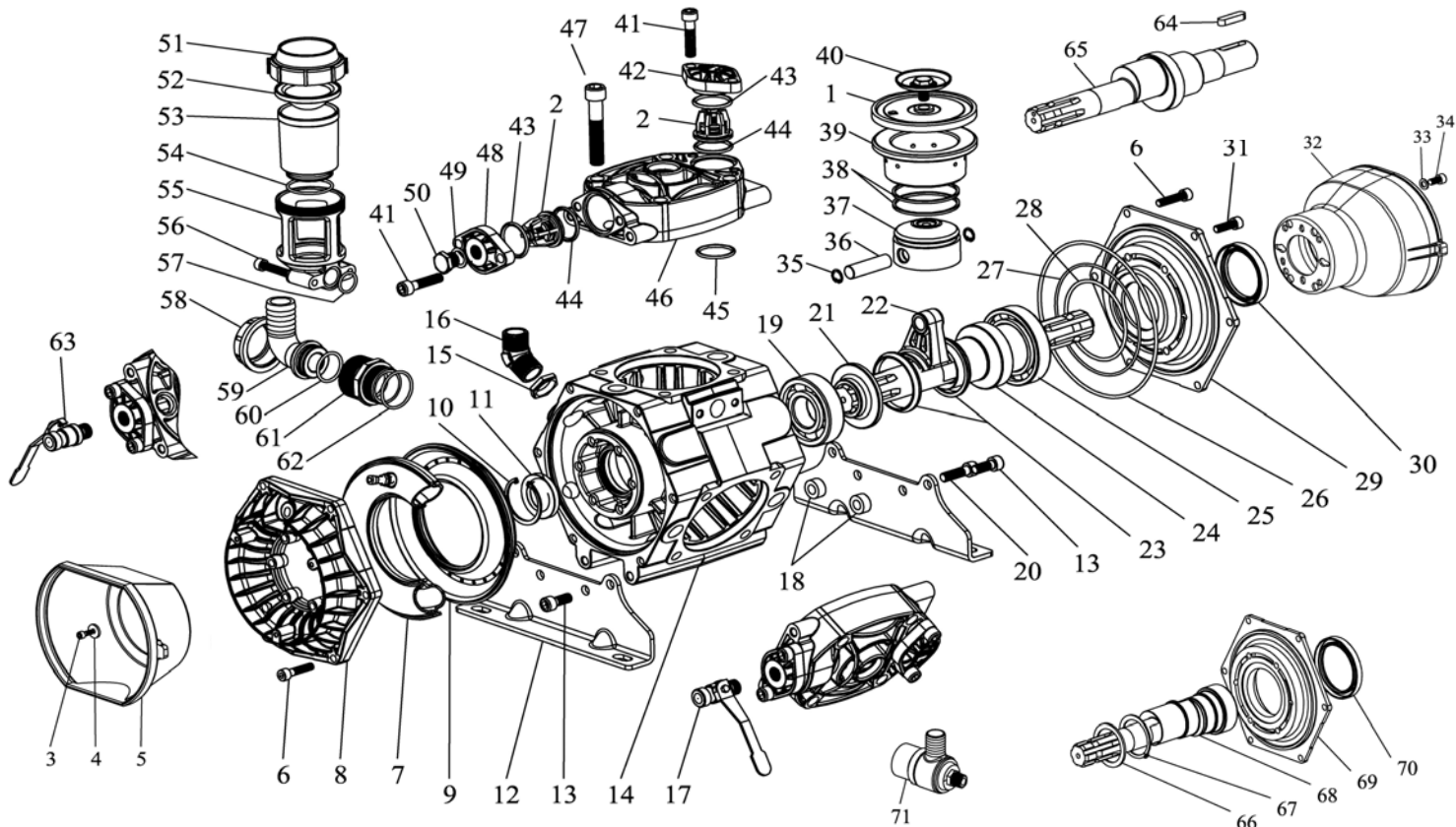
LUBRIFICANTE - LUBRICANT: OLIO MOTORE O SEMIDRAULICO SAE 30 MOTOR OIL OR SEMI-HYDRAULIC OIL SAE 30				
PRESSIONE ACCUMULATORE ACCUMULATOR PRESSURE				
PRESSIONE DI LAVORO - OPERATING PRESSURE	2 ÷ 5	5 ÷ 10	10 ÷ 20	20 ÷ 50
ACCUMULATORE ACCUMULATOR	2	2 ÷ 5	5 ÷ 7	6 ÷ 8

KIT MEMBRANE - DIAPHRAGMS KIT

KIT	BUNA - N			DESMOPAN			VITON					PENTAX				
	1	7	45	1	7	45	1	7	26	27	43	44	45	1	7	45
POSIZIONE ESPLOSO POSITION NUMBER	37.9817.97.3			37.9818.97.3			37.9819.97.3					37.9820.97.3				
QUANTITA' NEL KIT QUANTITIES INCLUDED	3	1	6	3	1	6	3	1	1	1	6	6	6	3	1	6

KIT POMPA/KIT VALVOLE - PUMP KIT/VALVES KIT

KIT	KIT POMPA VD - VP PUMP KIT VD - VP								KIT POMPA VM PUMP KIT VM								KIT VALVOLE VALVE KIT		
	11	30	45	26	27	28	43	44	11	70	45	26	27	28	43	44	2	43	44
POSIZIONE ESPLOSO POSITION NUMBER	35.9880.97.3								35.9881.97.3								35.9870.97.3		
QUANTITA' NEL KIT QUANTITIES INCLUDED	1	1	6	1	1	1	6	6	1	1	6	1	1	1	6	6	6	6	6



POS.	CODICE PART NO. REF.	DENOMINAZIONE - DESCRIPTION - DESCRIPTION	Q.TY
1	95.0040.31.2	BUNA-N PISTON DIAPHRAGM	3
1	95.0040.33.2	VITON PISTON DIAPHRAGM (OPTIONAL)	3
1	95.0040.00.2	DESMOPAN PISTON DIAPHRAGM (OPTIONAL)	3
1	95.0040.36.2	HPS PISTON DIAPHRAGM (OPTIONAL)	3
2	35.9802.97.3	VALVES ASSEMBLY	6
3	86.1846.00.2	SCREW M5,5x16 UNI 6954 (OPTIONAL)	3
4	84.3560.00.2	WASHER DIA. 5,5x15x1,6 (OPTIONAL)	3
5	31.1466.32.2	PLAIN SAFETY CONE (OPTIONAL)	1
6	86.2752.00.2	SCREW M8x35 UNI 5931	18
7	41.0120.97.3	NBR BALLASTER DIAPHRAGM	1
7	41.0121.97.3	VITON BALLASTER DIAPHRAGM (OPTIONAL)	1
7	41.0122.97.3	EPDM BALLASTER DIAPHRAGM (OPTIONAL)	1
7	41.0123.97.3	HPS BALLASTER DIAPHRAGM (OPTIONAL)	1
8	37.0108.09.2	BALLASTER COVER	1
9	41.0104.09.2	LOWER BALLASTER	1
10	80.1369.00.2	RING DIA.52	1
11	80.2143.10.2	OIL SEAL DIA.35x52x7	1
12	37.0109.61.2	MOUNTING RAIL	2
13	86.3265.00.2	SCREW M10x25 UNI 5931	6
14	37.0107.09.2	CRANKCASE	1
15	81.4909.00.2	BRASS G.3/4 NUT	1
16	83.5063.28.2	60° ELBOW CONNECTOR G.3/4	1
17	84.5544.10.2	LEFT TAP G.3/8-G.1/2	1
18	41.0115.75.2	MOUNTING RAIL SPACER	2
19	81.2867.00.2	BEARING 35X80X21	1
20	86.3347.00.2	SCREW M10x35 UNI 5931	2
21	28.0027.09.2	CIRCLIP	1
22	35.0011.09.2	CONROD	3
22	35.0047.11.2	BRONZE CONROD (OPTIONAL)	3
23	98.0047.76.2	CONROD HOLDING RING	2
24	35.0031.26.2	CRANKSHAFT "VD" (1"3/8 M-M)	1
25	81.2972.00.2	BEARING 55X90X18	1
26	80.3291.50.2	O-RING DIA. 3,53x177,39	1
26	80.3291.60.2	O-RING DIA. 3,53x177,39 (KIT VITON)	1
27	80.3210.70.2	O-RING DIA. 2,62x126,67	1
27	80.3210.75.2	O-RING DIA. 2,62x126,67 (KIT VITON)	1
28	80.3291.00.2	O-RING DIA. 3,53x88,5	1
29	35.0007.09.2	INLET COVER "VD"	1
30	80.2250.10.2	OIL SEAL DIA.55x72x10	1
31	86.2682.00.2	SCREW M8x25 UNI 5931	6
32	31.1482.32.2	PLAIN SAFETY CONE L.180 (OPTIONAL)	1
32	31.1468.32.2	PLAIN SAFETY CONE L.135 (OPTIONAL)	1
33	84.3801.00.2	WASHER DIA.10,5x18x2 (OPTIONAL)	4

POS.	CODICE PART NO. REF.	DENOMINAZIONE - DESCRIPTION - DESCRIPTION	Q.TY
34	86.3187.00.2	SCREW M10x18 UNI 5931 (OPTIONAL)	4
35	80.0021.00.2	RING DIA.15	6
36	85.2007.00.2	PISTON PIN DIA.15x54	3
37	37.0016.09.2	PISTON	3
38	81.8527.00.2	PISTON RING	6
39	37.0015.01.2	PISTON SLEEVE	3
40	41.9835.97.3	KIT DISK + SCREW INOX	3
41	86.3300.00.2	SCREW M10x30 UNI 5931	12
42	41.0109.09.2	VALVE COVER	3
43	80.3262.00.2	O-RING DIA.3,53x41,28	6
43	80.3262.50.2	O-RING DIA.3,53x41,28 (KIT VITON)	6
44	80.3251.00.2	O-RING DIA.3,53x32,93	6
44	80.3251.50.2	O-RING DIA.3,53x32,93 (KIT VITON)	6
45	80.3200.00.2	O-RING DIA.2,62x22,22	6
45	80.3200.50.2	O-RING DIA.2,62x22,22 (KIT VITON)	6
46	41.0111.09.2	PUMP HEAD	3
47	86.4250.00.2	SCREW M14x70 UNI 5931	12
48	41.0110.09.2	VALVE COVER G.3/8"	3
49	82.4107.00.2	GASKET	1
50	85.2579.00.2	CAP G.3/8"	1
51	28.0144.32.2	OIL FILLER COVER	1
52	41.0017.31.2	OIL FILLER DIAPHRAGM	1
53	41.0016.32.2	OIL FILLER	1
54	80.3209.40.2	O-RING DIA.2,62x44,12	1
55	35.0009.09.2	OIL FILLER BODY	1
56	86.2852.00.2	SCREW M8x45 UNI 5931	2
57	80.3195.00.2	O-RING DIA.2,62x20,24	1
58	82.0070.00.2	WING NUT G.1"1/2	1
59	84.0570.00.2	90° ELBOW CONNECTOR DIA.35-1,18"	1
60	80.3219.10.2	O-RING DIA.3,0x30	1
61	83.5090.35.2	NIPPLES G1"1/4 - G1"1/2 M-M	1
62	80.3209.00.2	O-RING DIA.2,62x39,34	1
63	84.5544.00.2	RIGHT TAP G.3/8-G.1/2	1
64	80.6579.00.2	TAB 10x8x40 "VP" (1"3/8- DIA.35 M-M)	1
65	37.0020.26.2	CRANKSHAFT "VP" (DIA.35 M)	1
65	35.0032.26.2	CRANKSHAFT "VP-1"	1
66	35.0038.76.2	CONROD HOLDING RING "VM"	1
67	80.1377.00.2	RING DIA.55 "VM"	1
68	35.0036.26.2	CRANKSHAFT "VM" (1"3/8 M-F)	1
69	35.0044.09.2	INLET COVER "VM"	1
70	80.2264.10.2	OIL SEAL "VM"	1
71	24.3050.97.3	SAFETY VALVE 50 BAR (OPTIONAL)	1