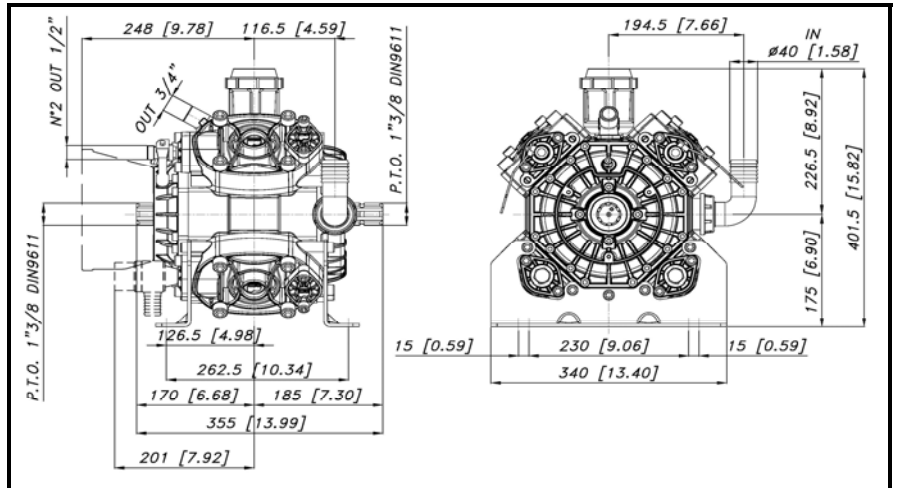
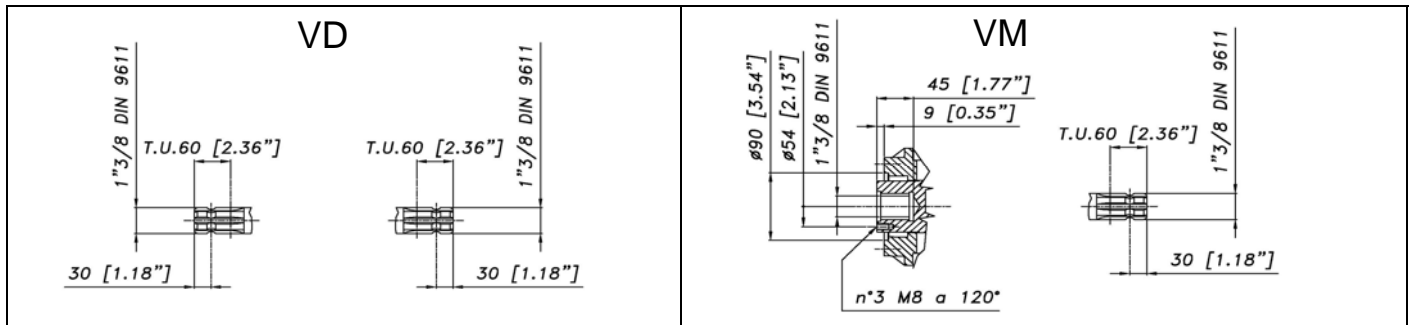




DIMENSIONI D'INGOMBRO - OVERALL DIMENSIONS



ALBERO POMPA - PUMP SHAFT



COPPIA DI SERRAGGIO - TORQUE CHART					
CODICE - CODE	Q.TY	POS	N.m	Lbr.ft	
86.2730.00.2	20	3	22	16,2	
86.2752.00.2	8	4	22	16,2	
86.3265.00.2	9	12	44	32,5	
86.3347.00.2	1	15	44	32,5	
41.9835.97.3	4	22	25	18,5	
86.4250.00.2	16	45	108	79,7	
86.3300.00.2	16	52	44	32,5	

Tolleranza di serraggio: 0/-10%  
Tolerance on torque value:

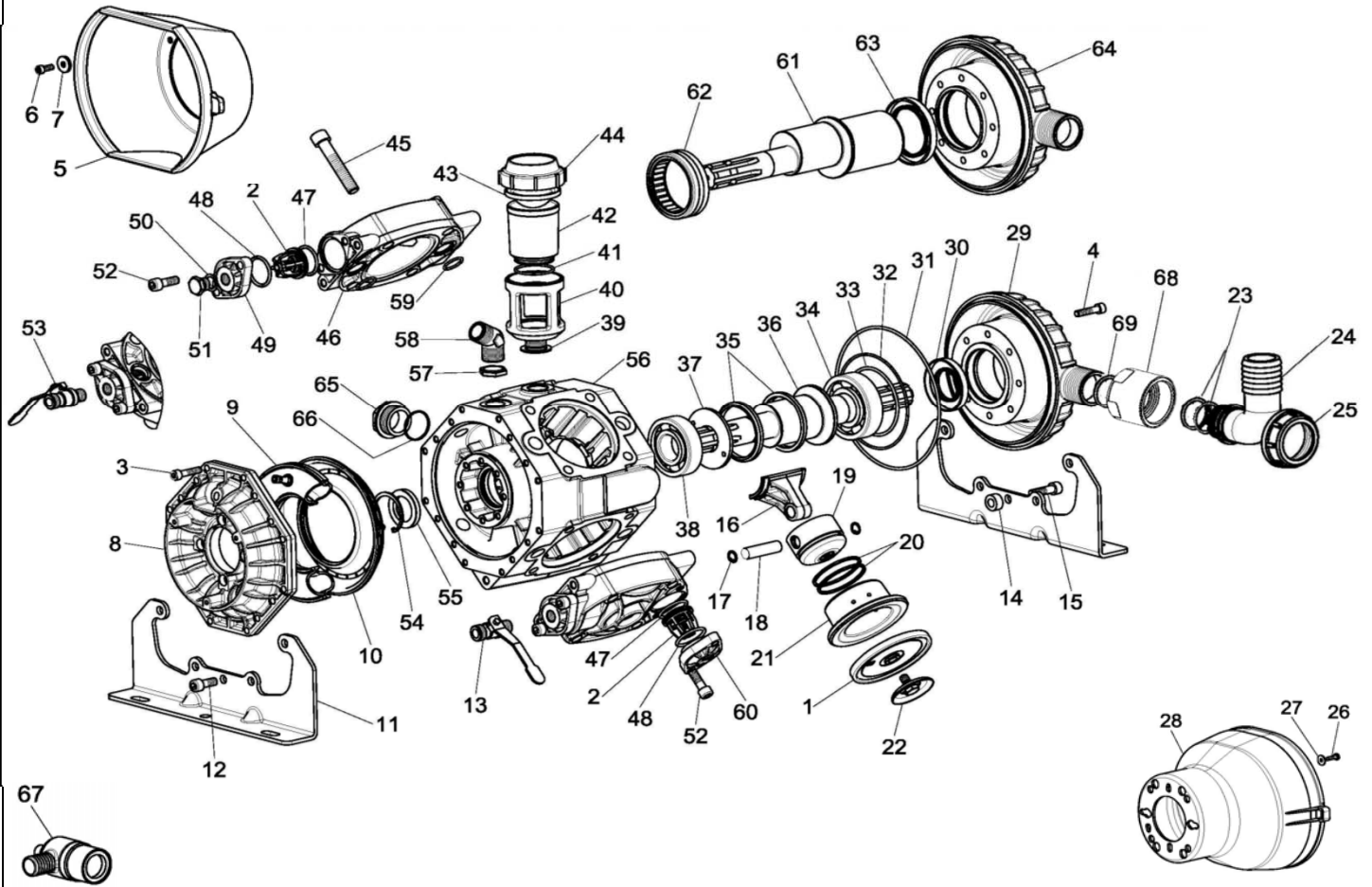
INFORMAZIONI UTILI USEFUL INFORMATION				
LUBRIFICANTE - LUBRICANT: OLIO MOTORE O SEMIIDRAULICO SAE 30 MOTOR OIL OR SEMI-HYDRAULIC OIL SAE 30				
PRESSIONE ACCUMULATORE ACCUMULATOR PRESSURE				
PRESSIONE DI LAVORO - OPERATING PRESSURE	2 ÷ 5	5 ÷ 10	10 ÷ 20	20 ÷ 50
ACCUMULATORE ACCUMULATOR	2	2 ÷ 5	5 ÷ 7	6 ÷ 8

KIT MEMBRANE - DIAPHRAGMS KIT

KIT	41.9875.97.3	BUNA - N			41.9876.97.3	DESMOPAN			41.9876.97.3	VITON					41.9878.97.3	PENTAX				
POSIZIONE ESPLOSO POSITION NUMBER		1	9	59		1	9	59		1	9	31	32	47	48	59		1	9	59
QUANTITA' NEL KIT QUANTITIES INCLUDED		4	1	8		4	1	8		4	1	1	1	8	8	8		4	1	8

KIT POMPA/KIT VALVOLE - PUMP KIT/VALVES KIT

KIT	41.9882.97.3	KIT POMPA VD PUMP KIT VD							41.9883.97.3	KIT POMPA VM PUMP KIT VM								41.9870.97.3	KIT VALVOLE VALVE KIT			
POSIZIONE ESPLOSO POSITION NUMBER		55	30	59	31	32	33	47	48		55	63	59	31	32	33	47	48		2	47	48
QUANTITA' NEL KIT QUANTITIES INCLUDED		1	1	8	1	1	1	8	8		1	1	8	1	1	1	8	8		8	8	8



POS.	CODICE PART NO. REF.	DENOMINAZIONE - DESCRIPTION - DESCRIPTION	Q.TY	POS.	CODICE PART NO. REF.	DENOMINAZIONE - DESCRIPTION - DESCRIPTION	Q.TY
1	95.0040.31.2	BUNA-N PISTON DIAPHRAGM	4	33	80.3291.00.2	O-RING DIA.3,53x88,5	1
1	95.0040.33.2	VITON PISTON DIAPHRAGM (OPTIONAL)	4	34	81.2913.00.2	BEARING 45X90X23	1
1	95.0040.00.2	DESMOPAN PISTON DIAPHRAGM (OPTIONAL)	4	35	14.0015.76.2	CONROD HOLDING RING	2
1	95.0040.36.2	HPS PISTON DIAPHRAGM (OPTIONAL)	4	36	41.0033.26.2	CRANKSHAFT "VD" (1"3/8 M-M)	1
2	35.9802.97.3	VALVES ASSEMBLY	8	37	41.0023.61.2	CIRCLIP	1
3	86.2730.00.2	SCREW M8x30 UNI 5931	20	38	81.2867.00.2	BEARING35X80X21	1
4	86.2752.00.2	SCREW M8x35 UNI 5931	8	39	82.4191.00.2	GASKET DIA.27x38x2	1
5	31.1466.32.2	PLAIN SAFETY CONE (OPTIONAL)	1	40	41.0015.09.2	OIL FILLER BODY	1
6	86.1846.00.2	SCREW M5,5x16 UNI 6954 (OPTIONAL)	3	41	80.3209.40.2	O-RING DIA.2,62x44,12	1
7	84.3560.00.2	WASHER DIA. 5,5x15x1,6 (OPTIONAL)	3	42	41.0016.32.2	OIL FILLER	1
8	41.0105.09.2	BALLASTER COVER	1	43	41.0017.31.2	OIL FILLER DIAPHRAGM	1
9	41.0120.97.3	NBR BALLASTER DIAPHRAGM	1	44	28.0144.32.2	OIL FILLER COVER	1
9	41.0121.97.3	VITON BALLASTER DIAPHRAGM (OPTIONAL)	1	45	86.4250.00.2	SCREW M14x70 UNI 5931	16
9	41.0122.97.3	EPDM BALLASTER DIAPHRAGM (OPTIONAL)	1	46	41.0111.09.2	PUMP HEAD	4
9	41.0123.97.3	HPS BALLASTER DIAPHRAGM (OPTIONAL)	1	47	80.3251.00.2	O-RING DIA.3,53x32,93	8
10	41.0104.09.2	LOWER BALLASTER	1	47	80.3251.50.2	O-RING DIA.3,53x32,93 (KIT VITON)	8
11	41.0113.61.2	MOUNTING RAIL	2	48	80.3262.00.2	O-RING DIA.3,53x41,28	8
12	86.3265.00.2	SCREW M10x25 UNI 5931	9	48	80.3262.50.2	O-RING DIA.3,53x41,28 (KIT VITON)	8
13	84.5544.10.2	LEFT TAP G.3/8-G.1/2	1	49	41.0110.09.2	VALVE COVER G.3/8"	4
14	41.0115.75.2	MOUNTING RAIL SPACER	1	50	82.4107.00.2	GASKET	2
15	86.3347.00.2	SCREW M10x35 UNI 5931	1	51	85.2579.00.2	CAP G.3/8"	2
16	41.0009.09.2	CONROD	4	52	86.3300.00.2	SCREW M10x30 UNI 5931	16
16	41.0047.11.2	BRONZE CONROD (OPTIONAL)	4	53	84.5544.00.2	RIGHT TAP G.3/8-G.1/2	1
17	80.0021.00.2	RING DIA.15	8	54	80.1369.00.2	RING DIA.52	1
18	85.2007.00.2	PISTON PIN DIA.15x24	4	55	80.2143.10.2	OIL SEAL DIA.35x52x7	1
19	48.0028.09.2	PISTON	4	56	41.0108.09.2	CRANKCASE	1
20	81.8530.00.2	PISTON RING	8	57	81.4909.00.2	BRASS G.3/4 NUT	1
21	48.0029.01.2	PISTON SLEEVE	4	58	83.5063.28.2	60° ELBOW CONNECTOR G.3/4	1
22	41.9835.97.3	KIT DISK + SCREW INOX	4	59	80.3200.00.2	O-RING DIA.2,62x22,22	8
23	80.3209.10.2	O-RING DIA. 2,62x40,95	1	59	80.3200.50.2	O-RING DIA.2,62x22,22 (KIT VITON)	8
24	84.0610.00.2	90° ELBOW CONNECTOR DIA.50-1,97"	1	60	41.0109.09.2	VALVE COVER	4
25	82.0120.00.2	WING NUT G.2"	1	61	41.0042.26.2	CRANKSHAFT "VM" (1"3/8 M-F)	1
26	86.1846.00.2	SCREW M5,5x16 UNI 6954 (OPTIONAL)	4	62	81.3027.00.2	BEARING 72X90X25	1
27	84.3560.00.2	WASHER DIA.5,5x15x1,6 (OPTIONAL)	4	63	80.2286.00.2	OIL SEAL DIA.72x90x10 "VM"	1
28	31.1482.32.2	PLAIN SAFETY CONE L.180 (OPTIONAL)	1	64	41.0116.09.2	INLET COVER "VM" - "MF"	1
28	31.1468.32.2	PLAIN SAFETY CONE L.135 (OPTIONAL)	1	65	85.3520.00.2	NYLON CAP M40x1,5	1
29	41.0112.09.2	INLET COVER "VD"	1	66	80.3080.10.2	O-RING DIA.1,78x34,65	1
30	80.2190.00.2	OIL SEAL DIA.40x72x10 "VD"	1	67	24.3050.97.3	SAFETY VALVE 50 BAR (OPTIONAL)	1
31	80.3295.00.2	O-RING DIA.3,53x190,10	1	68	41.0137.46.2	INLET NIPPLES	1
31	80.3295.50.2	O-RING DIA.3,53x190,10 (KIT VITON)	1	69	80.3080.30.2	O-RING DIA. 1,78x41,00	1
32	80.3210.70.2	O-RING DIA.2,62x126,67	1	69	80.3080.35.2	O-RING DIA. 1,78x41,00 (KIT VITON)	1
32	80.3210.75.2	O-RING DIA.2,62x126,67 (KIT VITON)	1				