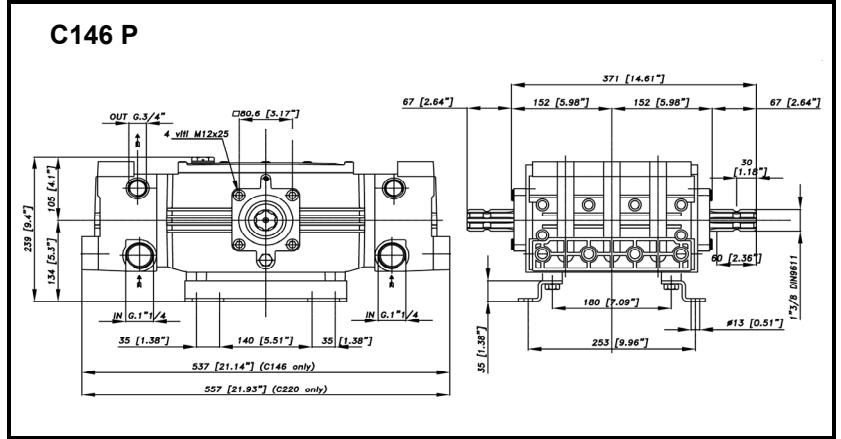
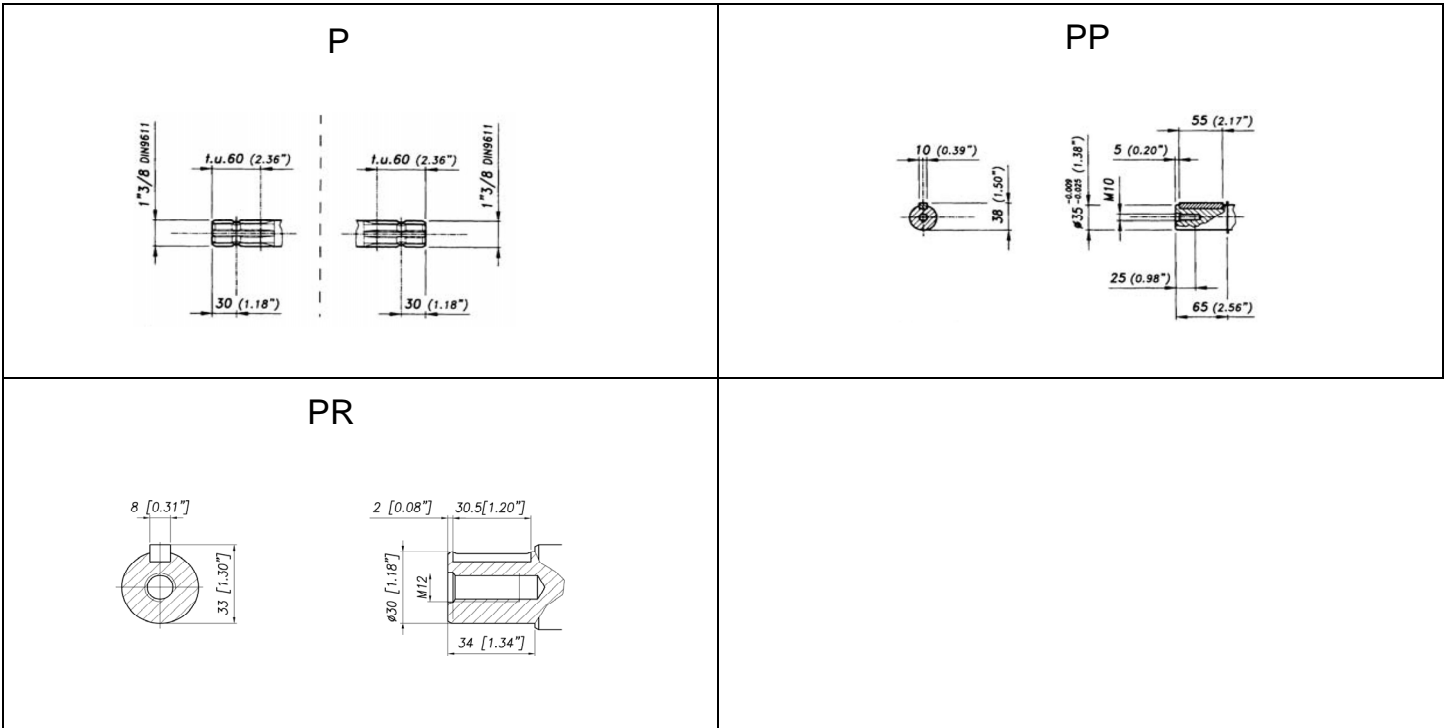




DIMENSIONI D'INGOMBRO - OVERALL DIMENSIONS



ALBERO POMPA - PUMP SHAFT



COPPIA DI SERRAGGIO - TORQUE CHART

CODICE - CODE	Q.TY	POS	N-m	Lbr.ft
86.4200.00.2	16	10	108	79.7
86.4090.00.2	12	12	68	50.2
86.2216.00.2	16	30	10	7.4
86.3900.00.2	6	61	40 (LOCTITE 242)	29.5 (LOCTITE 242)
86.1930.00.2	12	34	5 (LOCTITE 242)	3.7 (LOCTITE 242)
86.1924.00.2	6	39	3 (LOCTITE 242)	2.2 (LOCTITE 242)
73.0048.53.2	6	64	40 (LOCTITE 270)	29.5 (LOCTITE 270)
86.3696.00.2	8	47	50	36.9
86.3740.00.2	4	53	68 (LOCTITE 242)	50.2 (LOCTITE 242)

Tolleranza di serraggio: 0/-10%
Tolerance on torque value:

INFORMAZIONI UTILI USEFUL INFORMATION

LUBRIFICANTE - LUBRICANT:

OLIO MOTORE O SEMIIDRAULICO SAE 30
MOTOR OIL OR SEMI-HYDRAULIC OIL SAE 30



