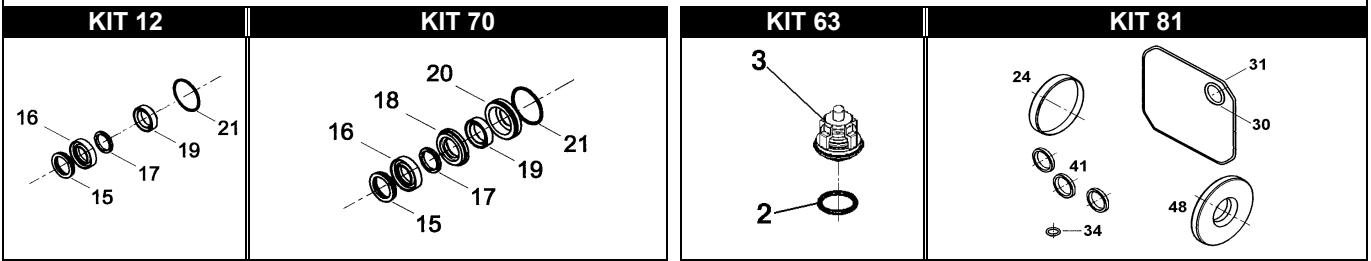
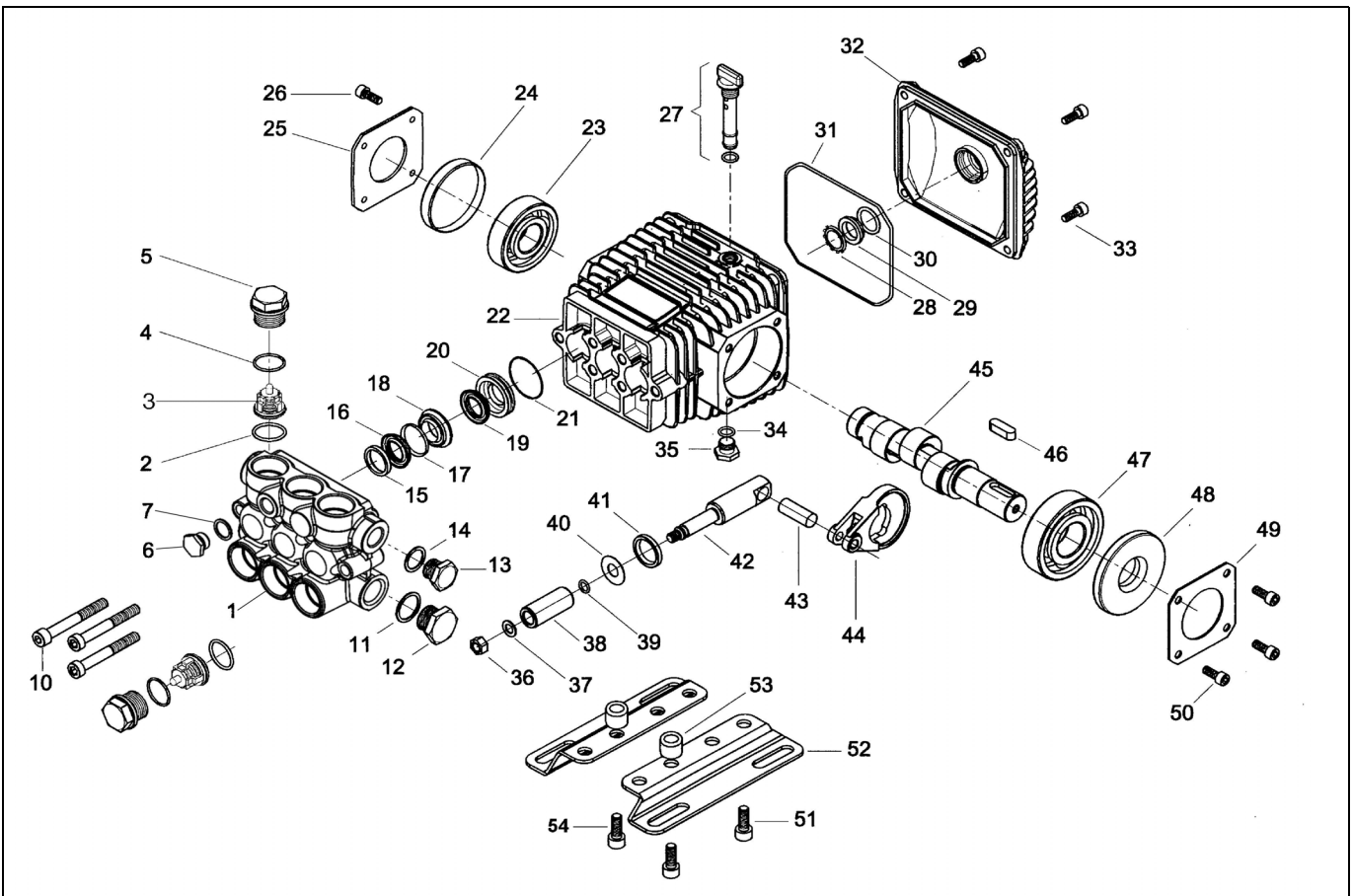


# WML 1013-1117-1214-1217-1316-1515-1520B WMS 2530-2035-2535-2040-2540-2545



POS.	CODICE PART NO. RÉF.	DENOMINAZIONE - DESCRIPTION - DESCRIPTION	Q.TY
1	040472282	PUMP HEAD DIA.18 MM (FROM 18/04/2011)	1
1	040118282	PUMP HEAD DIA.18 MM (BEFORE 18/04/2011)	1
2-kit 63	803182002	O-RING DIA.2,62X17,13	6
3-kit 63	049824973	VALVES ASSEMBLY	6
4-kit 67	803182002	O-RING DIA.2,62X17,13	6
5-kit 67	070040532	VALVE CAP M27x1,5	6
6	852543502	CAP G. 1/4" (FROM 18/04/2011)	1
7	824079002	COPPER WASHER (FROM 18/04/2011)	1
10	862892002	BOLT M8X50 UNI 5931 (FROM 18/04/2011)	6
10	862945002	BOLT M8X60 UNI 5931 (BEFORE 18/04/2011)	6
11	824140002	GASKET	1
12	852629002	PLUG G 1/2	1
12	852629532	PLUG G 1/2 BRASS (OPTIONAL)	1
13	852579002	PLUG G 3/8	1
13	852579532	PLUG G 3/8 BRASS (OPTIONAL)	1
14	824109002	GASKET DIA.17X22X1	1
15-kit 70-12	050019322	THRUST RING	3
16-kit 70-12	802061002	V PACKING DIA.18X28X5,5	3
17-kit 70-12	050221322	ANTI-EXTRUSION RING	3
18-kit 70	050223532	FRONT GLAND DIA.18 MM	3
19-kit 70-12	802044002	U PRESSURE SEAL DIA.18X24X4	3
20-kit 70	040165532	REAR GLAND	3
21-kit 70-12	803073002	O-RING DIA.23,52X1,78	3
22	040110092	CRANKCASE	1
23	812725002	BALL BEARING	1
24-kit 81	802101002	CAP	1
25	050045612	CRANKCASE COVER	1
26	862108002	BOLT M6X16 UNI 5931	4
27	049832973	OIL FILLER PLUG	1
28	801184002	CIRCLIP	1
29	040120322	OIL SIGHT GLASS	1
30-kit 81	803189002	O-RING DIA.2,62X18,72	1
31-kit 81	803210682	O-RING D.2,62X120,32	1
32	040117092	REAR COVER	1

POS.	CODICE PART NO. RÉF.	DENOMINAZIONE - DESCRIPTION - DESCRIPTION	Q.TY	
33	862168002	GALVANISED BOLT M6X22 UNI 5931	4	
34-kit 81	803057002	O-RING 2037 - 39,34 X 2,62	1	
35	852543502	CAP G.1/4 X9	1	
36	814561002	NUT	3	
37	843642902	WASHER DIA.8,1X14X1	3	
38	050010182	CERAMIC PISTON DIA.18 MM	3	
39	803049002	O-RING DIA.1,78X5,28	3	
40	843726002	WASHER DIA.9,1X24X1	3	
41-kit 64-81	802035002	OIL SEAL DIA.15X24X5	3	
42	040107512	PLUNGER ROD	3	
43	852003002	PISTON PIN DIA.8X25	3	
44	040115092	CONROD	3	
44	040116112	CONROD 1520B	3	
45/1	040437262	CRANKSHAFT WML 1117	1	
45/2	040438262	CRANKSHAFT WML 1214-1217-WMS2035-2535	1	
45/3	040439262	CRANKSHAFT WML 1316	1	
45/4	040440262	CRANKSHAFT WML 1515-2545	1	
45/5	040436262	CRANKSHAFT WMS 2530-WML1013	1	
45/6	040439262	CRANKSHAFT WMS 2040-2540	1	
46	806534002	TAB 8X7X25	1	
47	812725002	BALL BEARING	1	
48-kit 81	802100002	OIL SEAL 25X62X10	1	
49	050045612	CRANKCASE COVER	1	
50	862108002	BOLT M6X16 UNI 5931	4	
51-optional	862495002	BOLT M8x16	2	
52-optional	040247612	MOUNTING RAIL	2	
53-optional	040266612	SPACER	2	
54-optional	862627002	BOLT M8X22	2	
55-optional	049833973	MOUNTING RAILS KIT	1	
	<b>REPAIR KIT</b>	<b>ITEM NO.s INCLUDED</b>	<b>PCS.</b>	
	kit 12	049813973	SPARE PARTS KIT	15
	kit 63	049835973	SPARE PARTS KIT	12
	kit 64	049836973	SPARE PARTS KIT	3
	kit 67	049839973	SPARE PARTS KIT	12
	kit 70	049841973	SPARE PARTS KIT	21
	kit 81	049845973	SPARE PARTS KIT	8