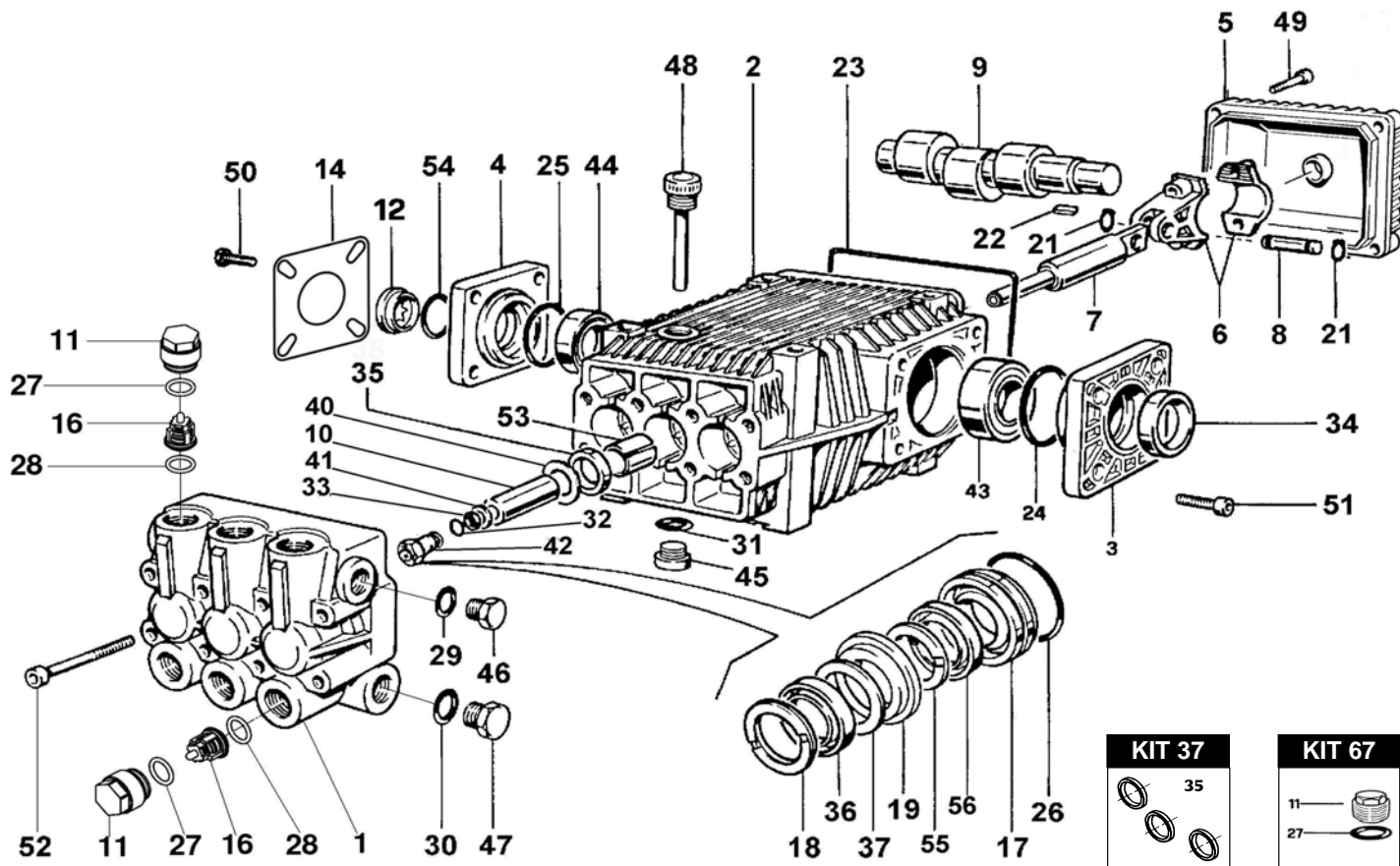


# TTL 1320 - 1520 - 1820 - 2120 - 2420

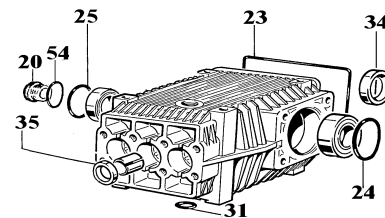
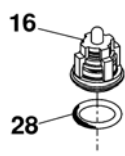
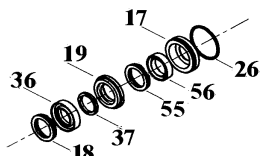
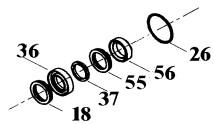


**KIT 89**

**KIT 86**

**KIT 123**

**KIT 127**



POS.	CODICE PART NO. RÉF.	DENOMINAZIONE - DESCRIPTION - DESCRIPTION	Q.TY
1	060159282	PUMP HEAD D.20	1
2	060001092	CRANKCASE	1
3	060016092	BEARING COVER DIA.72 MM	1
4	060017092	BEARING COVER DIA.80 MM	1
5	060003092	CRANKCASE COVER	1
6	069800972	CONNECTING ROD	3
6	862796002	CONNECTING ROD BOLT	6
7	0600071512	PLUNGER ROD	3
8	0600007492	PISTON PIN DIA.15 MM	3
9/1	060106262	CRANKSHAFT TTL 1320	1
9/2	060107262	CRANKSHAFT TTL 1520	1
9/3	060163262	CRANKSHAFT TTL 1820	1
9/4	060164262	CRANKSHAFT TTL 2120	1
9/5	060165262	CRANKSHAFT TTL 2420	1
10	060009182	CERAMIC PISTON DIA.20 MM	3
11-kit 67	070040532	VALVE CAP M27x1,5	6
12-kit 127	060019322	OIL SIGHT	1
14	060123612	SHEET FOR OIL SIGHT LOCKING	1
16-kit 123	069846973	CHECK VALVES	6
17-kit 86	060036532	BACK GLAND DIA.20 MM	3
18-kit 86-89	802065302	THRUST RING DIA.20	3
19-kit 86	060076532	FRONT GLAND	3
21	801099002	CIRCLIP DIA.15	6
22	806534002	TAB 8X7X35	1
23-kit 127	803210902	O-RING DIA.2,62X152	1
24-kit 127	803210552	O-RING DIA.2,62X67,95	1
25-kit 127	803210642	O-RING DIA.2,62X75,87	1
26-kit 86-89	803080102	O-RING DIA.1,78X34,65	3
27-kit 67	803182802	O-RING DIA.2,62X17,13	6
28-kit 123	803182802	O-RING DIA.2,62X17,13	6
29	824109002	GASKET DIA.17X22X1	1
30	824180002	GASKET DIA.27X36X1	1
31-kit 127	803204802	O-RING DIA.2,62X23,81	1
32	803058002	O-RING DIA.1,78X10,82	3

POS.	CODICE PART NO. RÉF.	DENOMINAZIONE - DESCRIPTION - DESCRIPTION	Q.TY
33	803902002	ANTI-EXTRUSION RING	3
34-kit 127	802143002	OIL SEAL	1
35-kit 37-127	802090002	OIL SEAL DIA.17	3
36-kit 86-89	802065102	SUPER "U" PACKING DIA.20X30	3
37-kit 86-89	060086322	ANTIEXTRUSION RING	3
40	060018682	WASHER DIA.14X38X0,5	3
41	843646002	WASHER	3
42	060072002	PISTON BOLT	3
43	812848002	ROLLER BEARING DIA.35X72X17	1
44	812867002	BALL BEARING	1
45	852687002	CAP G 3/4	1
46	852579002	PLUG G 3/8	1
46	852579532	PLUG G 3/8 BRASS (OPTIONAL)	1
47	852693002	CAP G3/4	1
47	852693532	CAP G3/4 BRASS (OPTIONAL)	1
48	060020322	OIL FILLER PLUG WITH DIP STICK	1
49	862108002	BOLT	4
50	863265002	BOLT	4
51	862562002	BOLT	4
52	862945002	BOLT	8
53	804300002	SELF-LUBRIFICATING BUSHING	3
54-kit 127	803262002	O-RING DIA.3,53X41,28	1
55-kit 86-89	380392322	THRUST RING DIA.20X30	3
56-kit 86-89	802064002	"V" PACKING DIA.20X30	3
REPAIR KIT	NO.s INCLUDED	PCS.	
kit 37	069814973	SPARE PARTS KIT	3
kit 67	049839973	SPARE PARTS KIT	12
kit 86	069836973	SPARE PARTS KIT	24
kit 89	069839973	SPARE PARTS KIT	18
kit 123	069867973	SPARE PARTS KIT	12
kit 127	069872973	SPARE PARTS KIT	10
HOT WATER CONVERSION KIT (85°C-185°F)			
kit 200	069884973	H.W. PACKING SEALING KIT	21
kit 249	069956973	H.W. VALVE KIT	18