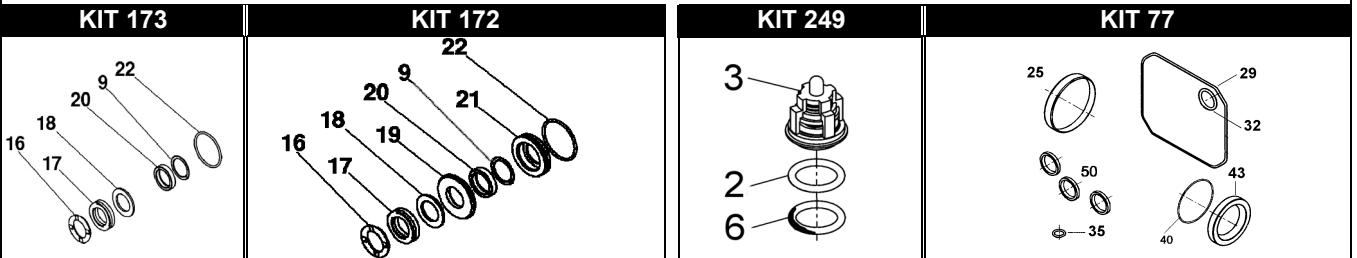
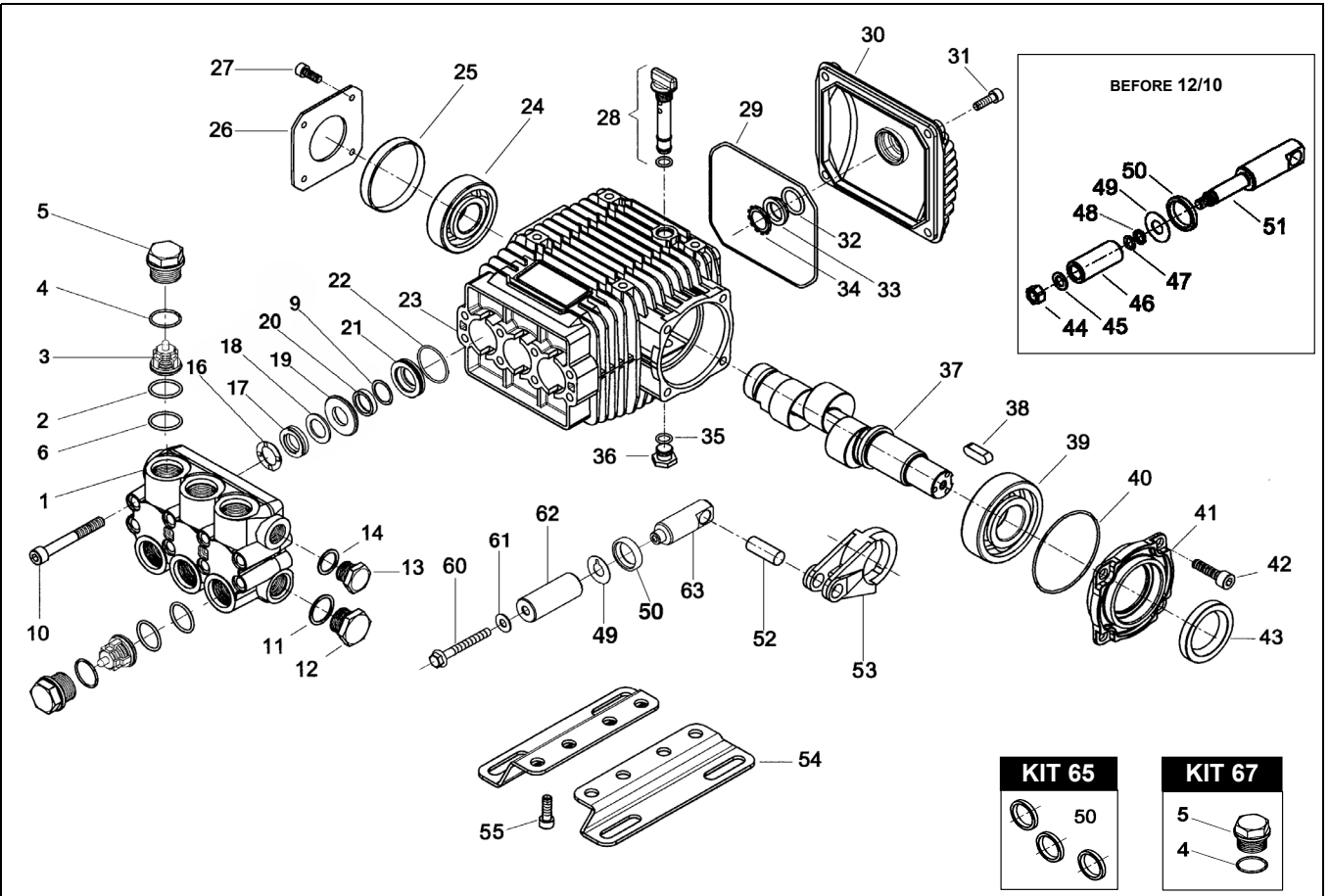


TML - HW 1328 - 1528 - 1728 - 2028



POS.	CODICE PART NO. RÉF.	DENOMINAZIONE - DESCRIPTION - DESCRIPTION	Q.TY	POS.	CODICE PART NO. RÉF.	DENOMINAZIONE - DESCRIPTION - DESCRIPTION	PCS.
1	070136282	PUMP HEAD	1	33	040120322	OIL SIGHT GLASS	1
2-kit 249	803095502	O-RING DIA.2X18	6	34	801184002	RING	1
3-kit 249	069959973	CHECK VALVES	6	35-kit 77	803057002	O-RING 2037 - 39,34 X 2,62	1
4-kit 67	803182802	O-RING DIA.2,62X17,13	6	36	852543502	CAP G. 1/4 X9 (EX 852542002) (EX 852542002)	1
5-kit 67	070040532	EX. DEEP SEALING VALVE CAP M27X1,5	6	37/2	070034262	CRANKSHAFT TML 1328 HW	1
6-kit 249	040480542	ANTIEXTRUSION RING DIA.18,4X22X0,8	6	37/3	070035262	CRANKSHAFT TML 1528 HW	1
9	803073002	O-RING DIA. 1,78X23,52	3	37/4	070037262	CRANKSHAFT TML 1728 HW	1
10	862985002	SCREW TCEI M8X70 UNI 5931	8	37/5	070038262	CRANKSHAFT TML 2028 HW	1
11	824140002	GASKET FOR COUPLING 21,2X26X1	1	38	806534002	TAB 8X7X35	1
12	852629002	PLUG G 1/2"	1	39	812776202	ROLLER BEARING	1
12	852629532	PLUG G 1/2" BRASS (OPTIONAL)	1	40-kit 77	803080702	O-RING D.1,78X69,57	1
13	852579002	PLUG G 3/8	1	41	070003092	SUPPORT	1
13	852579532	PLUG G 3/8 BRASS (OPTIONAL)	1	42	862547002	SCREW M8X18	4
14	824109002	COPPER GASKET DIA.17X22X1	1	43-kit 77	802119002	OIL SEAL 30X52X7	1
16-kit 172-173	802058102	SEAL PACKER	3	44	070129512	STAINLESS STEEL NUT M8 - before 12/10	3
17-kit 172-173	802058002	PACKING U 18x28	3	45	843692002	WASHER DIA.8,2X17X1 - before 12/10	3
18-kit 172-173	802061702	EXTERNAL CHECK RING	3	46	070008182	CERAMIC PISTON DN18 - before 12/10	3
19-kit 172	070133532	FRONT BRASS GLAND	3	47	803055502	VITON O-RING DIA.1,78X7,76 - before 12/10	3
20-kit 172-173	802058502	PACKING U 18x24 (PTFE)	3	48	803912002	BACKUP RING 2031 DIA.10,8 - before 12/10	3
21-kit 172	070134532	BACK BRASS GLAND	3	49	843826002	WASHER D.11,3X25X0,5 COPPER	3
22-kit 172-173	803080002	O-RING	3	50-kit 65-77	802063502	AXIAL RING	3
23	070001092	CRANKCASE	1	51	070010512	PLUNGER ROD - before 12/10	3
24	812730102	ROLLER BEARING	1	52	852006282	PISTON PIN	3
25-kit 77	802102002	COVER 62X07 RCA	1	53	070005112	CONROD	3
26	050045612	CRANKCASE COVER	1	54-optional	040247612	MOUNTING RAIL	2
27	862108002	SCREW M6X16 UNI 5931	4	55-optional	862495002	SCREW M8x16	4
28	049832973	FILLER PLUG	1	56-optional	079802973	MOUNTING RAIL KIT	1
29-kit 77	803210682	O-RING D.2,62X120,32	1	60	862401002	SCREW M6X50 - from 01/11	3
30	040117092	REAR COVER	1	61	843620052	WASHER D.6.5x15 - from 01/11	3
31	862168002	GALVANISED SCREW M6X22 UNI 5931	4	62	070198182	CERAMIC PISTON DIA. 18 - from 01/11	3
32-kit 77	803189002	O-RING DIA.2,62X18,72	1	63	070152512	PLUNGER ROD - from 01/11	3
				REPAIR KIT		ITEM NO.s INCLUDED	PCS.
				kit 65	049837973	SPARE PARTS KIT	3
				kit 67	049839973	SPARE PARTS KIT	12
				kit 77	079808973	SPARE PARTS KIT	9
				kit 249	069956973	SPARE PARTS KIT	18
				kit 172	079837973	SPARE PARTS KIT	24
				kit 173	079838973	SPARE PARTS KIT	18